



伟赛尔  
VINCER VALVE  
VALVE AUTOMATION TECHNOLOGY



## 气动V型法兰球阀

VP11-V VINCER Pneumatic V-Port Ball Valve

## 气动V型球阀

### VP11-V VINCER PNEUMATIC V-PORT BALL VALVE

气动V型球阀采用V型球体设计，可实现粉料、颗粒介质的流体控制，具有良好的流量调节性能。

Pneumatic V-port ball valve adopts V-shaped ball design, which can realize fluid control of powder and granular media and has good flow regulation performance.



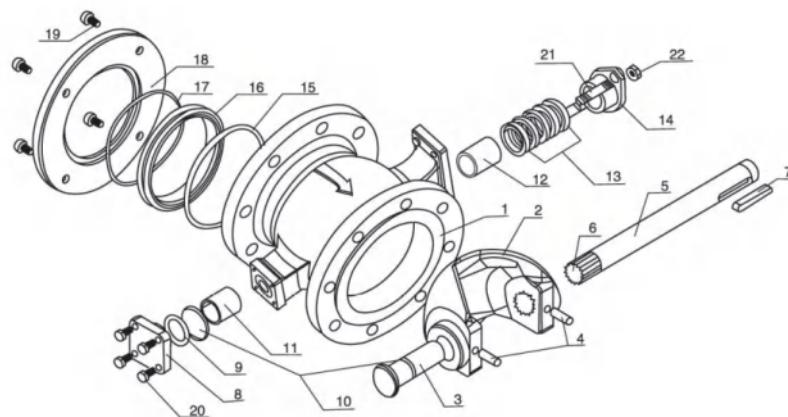
#### 技术规范 Technical Parameter

- 设计标准 Design Standard: GB/T 12237、API 608、API 6D
- 结构长度 Face To Face Dimension: GB/T 12221、ASME B16.10、API 6D
- 连接法兰尺寸 Connecting Flange Size: GB/T 9113、HG20592、JB/T 79、GB/T 12224、ASME B16.5、ASME B16.47、ASME B16.11、ASME B16.25
- 试验和检验 Test & Inspection: JB/T 9092、GB/T 26480、API598、API 6D

#### 优势 Advantage

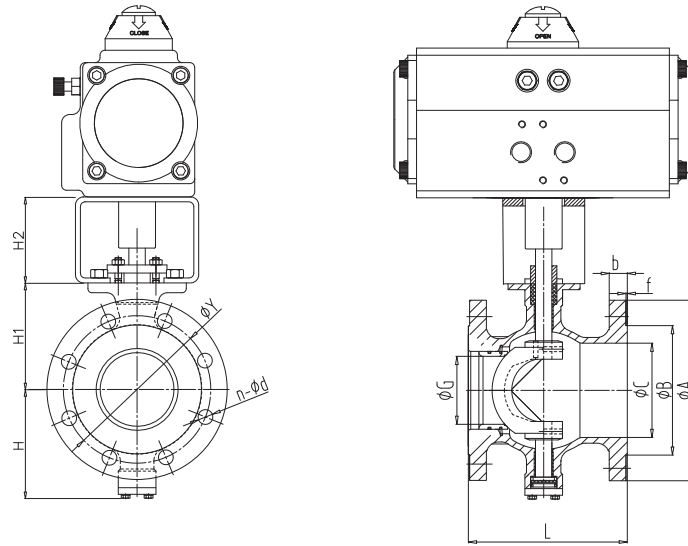
流体控制精准，耐高温高压，耐磨损

Precise fluid control, High temperature and high pressure resistance, Wear resistance



#### 主要零件材质表 Main Parts Materials

序号 No.	零件名称	Component	数量 Qty	材质 Material
1	阀体	Body	1	WCB、CF8、CF8M、CF3、CF3M
2	球体	Ball	1	CF8、CF8M+镀硬铬或超音速喷涂
3	后阀杆	Rear Stem	1	17-4PH、SS316
4	圆柱销	Cylindrical Pin	1	SS304、S3316
5	前阀杆	Front Stem	2	17-4PH、SS316
6	花键	Spline	1	17-4PH、SS316
7	平键	Flat Key	1	SS304、45#
8	后压键	After Gland	1	CF8、CF8M
9	O形圈	O-Ring	1	氟橡胶 Viton
10	调整垫	Adjust Pad	各1	聚四氟乙烯(PTFE)
11	自润滑轴承	Self-Lubricating Bearings	1	复合材料 Composite Material
12	自润滑轴承	Self-Lubricating Bearings	1	复合材料 Composite Material
13	填料	Packing	1组	聚四氟乙烯(PTFE)
14	填料压盖	Gland	1	CF8
15	O形圈	O-Ring	1	氟橡胶 Viton
16	密封座	Seal Block	1	PTFE、CF8、CF8M+镀硬铬或超音速喷涂
17	密封座弹簧	Seal Block Spring	1	SS316
18	密封座盖	Sealing Lid	1	Q235、SS304、S3316
19	内六角螺钉	Inner Hexagon Screw		SS304
20	六角螺钉	Hexagon Screw	4	SS304



主要外形及连接法兰尺寸-1.6MPa Main Outline and Connecting Flange Size-1.6MPa

MEDLE	DN25	DN32	DN40	DN50	DN65	DN80	DN100	DN125	DN150	DN200
Inch	1"	1-1/4"	1-1/2"	2"	2-1/2"	3"	4"	5"	6"	8"
A	115	140	150	165	185	200	220	250	285	340
B	65	76	84	99	118	132	156	184	211	266
C	38	45	50	62	73	90	115	134	164	206
G	20	25	32	40	55	62	80	100	125	155
Y	85	100	110	125	145	160	180	210	240	295
b	16	18	18	20	20	20	22	22	24	24
f	2	2	2	2	2	2	2	2	2	2
n-φ d	4-φ 14	4-φ 18	4-φ 18	4-φ 18	8-φ 18	8-φ 18	8-φ 18	8-φ 18	8-φ 22	12-φ 22
L	102	102	114	124	145	165	194	194	229	243
H	81	86	90	93	108	123	138	128	170	200
H1	178	183	185	195	210	223	235	250	270	320

主要外形及连接法兰尺寸-150 Class Main Outline and Connecting Flange Size- 150 Class

MEDLE	DN25	DN32	DN40	DN50	DN65	DN80	DN100	DN125	DN150	DN200
Inch	1"	1-1/4"	1-1/2"	2"	2-1/2"	3"	4"	5"	6"	8"
A	108	115	127	152	180	191	230	255	280	340
B	50.8	63.5	73	92.1	104.8	127	157.2	185.7	215.9	269.9
C	79.4	88.9	98.4	120.7	139.7	152.4	190.5	215.9	241.3	298.5
G	20	25	32	40	55	62	80	100	125	155
Y	85	100	110	125	145	160	180	210	240	295
b	16	18	18	20	20	20	22	22	24	24
f	2	2	2	2	2	2	2	2	2	2
n-φd	8-φ14	8-φ18	8-φ18	8-φ18	8-φ18	8-φ18	8-φ18	8-φ18	8-φ22	12-φ22
L	102	102	114	124	145	165	194	194	229	243
H	81	86	90	93	108	123	138	128	170	200
H1	178	183	185	195	210	223	235	250	270	320



**VINCER VALVE**  
VALVE AUTOMATION TECHNOLOGY

VINCER

## GET IN TOUCH VALVE CONSULTANT

**Hebe Wong**

+86 13826949015

[www.vincervalve.com](http://www.vincervalve.com)

地址：广东省东莞市东城街道樟村大园路110号1号楼203室  
Address: Room No. 203, Building No.1, Zhangcun  
Dayuan Road No. 110, Dongcheng District,  
Dongguan City, Guangdong Province



QUALITY VALVE AND UNBEATABLE VALUE