



伟赛尔  
VINCER VALVE  
VALVE AUTOMATION TECHNOLOGY



## 气动意式薄型球阀

VP11-I VINCER Pneumatic Italian Ball Valve

## 气动薄型球阀

### VP11-I VINCER PNEUMATIC ITALIAN BALL VALVE

气动薄型对夹球阀结构紧凑，适用于有限空间的流体控制，具有快速开闭、可靠密封等优势。

Pneumatic italian ball valve has a compact structure and is suitable for fluid control in limited spaces. It has the advantages of quick opening and closing and reliable sealing.

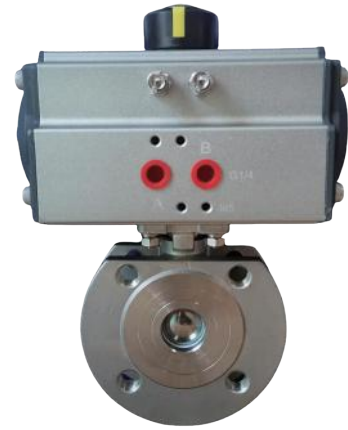
#### 技术规范 Technical Parameter

- 设计标准 Design Standard: GB/T 12237
- 结构长度 Face To Face Dimension: GB/T 12221
- 连接法兰尺寸 Connecting Flange Size: GB/T 9113、HG20592、JB/T 79、GB/T 12224
- 试验和检验 Test & Inspection: JB/T 9092、GB/T 26480

#### 优势 Advantage

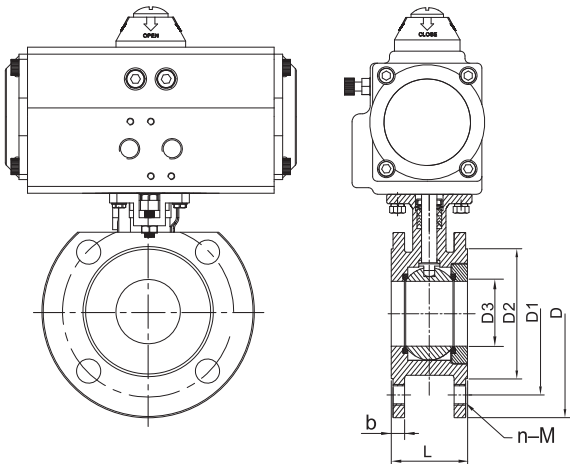
结构紧凑，耐高温，快速开闭

Compact structure, High temperature resistance, Quick opening and closing



#### 主要零件材质表 Main Parts Materials

序号 No.	零件名称 Component	材质 Material
1	主阀体 Body	不锈钢304、304L、316、316L Stainless Steel 304、304L、316、316L
2	球体 Ball	不锈钢304、304L、316、316L Stainless Steel 304、304L、316、316L
3	阀座 Seat	PTFE、对位聚苯(PPL)
4	O型环 O-Ring	聚四氟乙烯(PTFE)
5	填料 Packing	聚四氟乙烯(PTFE)
6	阀杆 Stem	不锈钢304、316、316L Stainless Steel 304、316、316L
7	连接套 Connecting Set	不锈钢304、316 Stainless Steel 304、316
8	Screw 螺栓	不锈钢304、316 Stainless Steel 304、316
9	气动执行器 Pneumatic Actuator	AT Series
10	位置指示器 Location Indicator	塑料 Plastic



#### 主要外形及连接法兰尺寸1.6MPa Main Outline and Connecting Flange Size 1.6MPa

MEDLE	DN25	DN32	DN40	DN50	DN65	DN80	DN100
G	1"	1-1/4"	1-1/2"	2"	2-1/2"	3"	4"
D3	23.5	31	36	44	55	70	88
D2	68	76	90	103	123	138	159
D1	85	100	110	125	145	160	180
D	98.5	135	128	142	158	187	206
L	44	53	63	72	95	120	139
b	16	16	18	18	18	21	21
n-M	4-M10	4-M14	4-M14	4-M14	4-M14	8-M14	8-M14



**VINCER VALVE**  
VALVE AUTOMATION TECHNOLOGY

VINCER

## GET IN TOUCH VALVE CONSULTANT

**Hebe Wong**

+86 13826949015

[www.vincervalve.com](http://www.vincervalve.com)

地址：广东省东莞市东城街道樟村大园路110号1号楼203室  
Address: Room No. 203, Building No.1, Zhangcun  
Dayuan Road No. 110, Dongcheng District,  
Dongguan City, Guangdong Province



QUALITY VALVE AND UNBEATABLE VALUE