



伟赛尔
VINCER VALVE
VALVE AUTOMATION TECHNOLOGY



气动刀闸阀

VP13-PKG VINCER Pneumatic Knife Gate valve

伟赛尔气动直行程阀门

LINEAR ACTUATOR VALVES

气动刀闸阀

VP13-PKG VINCER PNEUMATIC KNIFE GATE VALVE

气动刀闸阀适用于管道切断流体介质，具有结构简单、流体阻力小、密封可靠等优势。广泛应用于污水处理、排污系统等领域。

Pneumatic knife gate valve is suitable for cutting off fluid media in pipelines. It has the advantages of simple structure, small fluid resistance, and reliable sealing. Widely used in sewage treatment, sewage systems and other fields.



优势 Advantage

结构简单，流体阻力小，可靠的密封性能
Simple structure, Small fluid resistance,
Reliable sealing performance



法兰型
Flange type



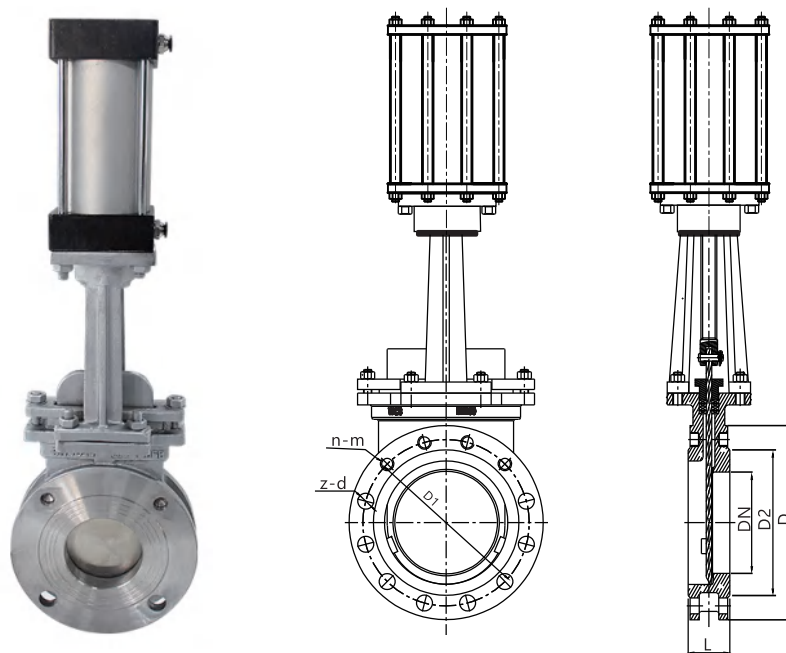
梅花型
Lug type



对夹型
Wafer type

主要零件材质表 Main Parts Materials

NO.	零件名称 Part Name	零件材料 Part Material
1	公称通径 Nominal Size	DN50~DN1000
2	适用介质 Applicable Medium	泥浆、物料、粘稠、颗粒类流体 Mud, material, viscous, granular fluid
3	连接类型 Connection Type	法兰型，梅花型，对夹型 Flanged Type, Plum blossom type, Wafer type
4	压力等级 Pressure Rating	0.6 1.6 4.0 6.4 (ANSI 150 300 600Lb) (JIS10 20 30 40K)
5	工作温度 Operating temperature	-30°C ~300°C
6	阀体材质 Body Material	WCB、铸铁、不锈钢(CF8、CF8M) Cast Iron, Carbon Steel(WCB), Stainless Steel(CF8, CF8M)
7	阀板材质 Disc Material	WCB、铸铁、不锈钢(CF8、CF8M) WCB、Cast Iron, Stainless Steel(CF8, CF8M)
8	阀杆材质 Stem Material	不锈钢 Stainless Steel (CF8, CF8M)



主要外形及连接尺寸(1.0MPa) Main Outline and Connecting(1.0MPa)

Size	2"	2-1/2"	3"	4"	5"	6"	8"	10"	12"	14"	16"	18"	20"
DN	50	65	80	100	125	150	200	250	300	350	400	450	500
D	160	180	195	215	245	280	335	390	440	500	565	615	670
D1	125	145	160	180	210	240	295	350	400	460	515	565	620
D2	100	120	135	155	185	210	265	320	368	428	482	532	585
b	18	18	18	18	18	23	23	23	23	23	27	27	27
L	50	50	50	50	50	60	60	70	80	90	100	110	114
z-d	2-18	2-18	2-18	6-18	6-22	6-22	6-22	8-26	8-26	8-30	10-30	10-30	10-30
n-m	2-M16	2-M16	2-M16	2-M16	2-M20	2-20	2-M20	4-M24	4-M24	4-M27	6-M27	6-M27	6-M27

WWW.VINCERVALVE.COM

主要外形及连接尺寸(ANSI150LB) Main Outline and Connecting(ANSI150LB)

Size	2"	2-1/2"	3"	4"	5"	6"	8"	10"	12"	14"	16"
DN	50	65	80	100	125	150	200	250	300	350	400
D	150	180	190	230	255	280	345	405	485	535	595
D1	120.7	139.7	152.4	190.5	215.9	241.3	298.5	362	431.8	476.3	539.8
D2	92.1	104.8	127	157.2	185.7	215.9	269.9	323.8	381	412.8	469.9
L	50	50	50	50	50	60	60	70	76	76	89
z-d	2-18	2-18	2-18	6-18	6-22	6-22	6-22	8-26	8-26	8-30	10-30
n-m	2-M16	2-M16	2-M16	2-M16	2-M20	2-20	2-M20	4-M24	4-M24	4-M27	6-M27



VINCER

GET IN TOUCH VALVE CONSULTANT

Hebe Wong

+86 13826949015

www.vincervalve.com

地址：广东省东莞市东城街道樟村大园路110号1号楼203室
Address: Room No. 203, Building No.1, Zhangcun
Dayuan Road No. 110, Dongcheng District,
Dongguan City, Guangdong Province

