



伟赛尔
VINCER VALVE
VALVE AUTOMATION TECHNOLOGY



气动对夹式软密封蝶阀系列

VP12 VINCER Pneumatic Wafer Butterfly Valve Series

伟赛尔气动蝶阀

PNEUMATIC BUTTERFLY VALVES



气动对夹蝶阀

VP12 VINCER PNEUMATIC WAFER BUTTERFLY VALVE

气动对夹蝶阀采用对夹连接方式，适用于中低压流体控制，具有快速开闭、结构简单、维护方便等优势。

Pneumatic wafer butterfly valve adopts wafer connection method and is suitable for medium and low pressure fluid control. It has the advantages of fast opening and closing, simple structure and easy maintenance.

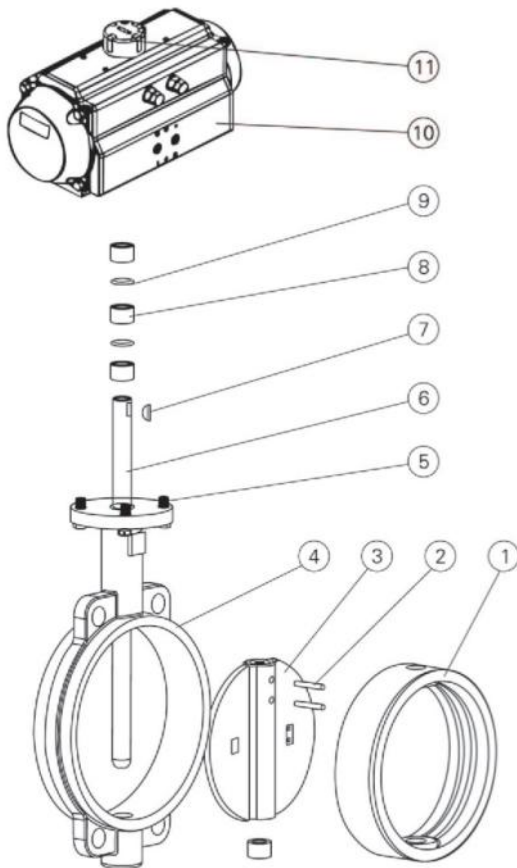
技术规范 Technical Parameter

- 设计标准 Design Standard: GB/T 12238、JB/T 79、HG/T 20592
- 结构长度 Face to Face Dimension/对夹连接 Wafer Connecting: GB、JIS、ANSI
- 试验和检验 Test & Inspection: GB/T 13927

优势 Advantage

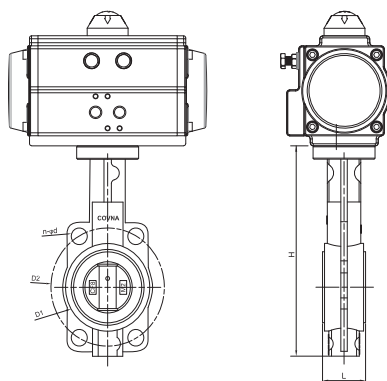
高密封性，方便维护，耐腐蚀

High sealing, Easy maintenance, Corrosion resistance



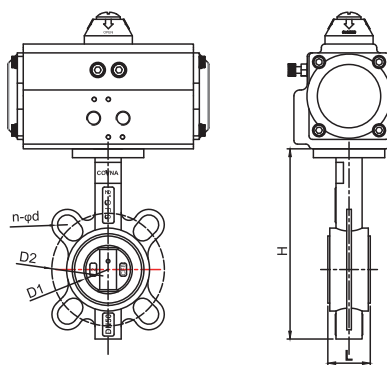
主要零件材质表 Main Parts Materials

| 序号 No. | 零件名称 Component | 材质 Material | | |
|-----------|--------------------------------|---|--|--|
| | | Z | C | P |
| 1 | 阀座 Seat | 橡胶，聚四氟乙烯 Rubber, PTFE | | |
| 2 | 圆锥销 Taper Pin | 45钢 45 Steel | 45钢 45 Steel | 不锈钢 Stainless Steel |
| 3 | 蝶板 Butterfly Plate | 球墨铸铁镀硬铬 Ductile Iron-iron Hard Chrome Plating | 碳钢或不锈钢 Simple Steel or Stainless Steel | 不锈钢 Stainless Steel |
| 4 | 阀体 Body | 灰铸铁 Grey Cast Iron | 碳钢 Carbon Steel | 不锈钢 Stainless Steel |
| 5 | 螺栓 Screw | 35钢 35 Steel | 碳钢 Carbon Steel | 不锈钢 Stainless Steel |
| 6 | 阀杆 Stem | 45钢 45 Steel | 不锈钢 Stainless Steel | 不锈钢 Stainless Steel |
| 7 | 键 Key | 45钢 45 Steel | 45钢 45 Steel | 不锈钢 Stainless Steel |
| 8 | 衬套 Bushing | 铜基粉末冶金 Copper Base Powder Metallurgy | 铜基粉末冶金 Copper Base Powder Metallurgy | 铜基粉末冶金 Copper Base Powder Metallurgy |
| 9 | O型圈 O Ring | 橡胶 Rubber, 氟橡胶 Viton | | |
| 10 | 气动装置 Pneumatic Device | AT Series AW Series | | |
| 11 | 位置指示器 Location Indicator | 塑料 Plastic | | |



主要外形及连接尺寸PN10, PN16(10MPa, 16MPa)
 Main Outline and Connecting Size- PN10, PN16(1.0MPa,1.6MPa)

| MEDLE | DN50 | DN65 | DN80 | DN100 | DN125 | DN150 | DN200 | DN250 | DN300 | DN350 | DN400 | DN500 | DN600 |
|-------|-------|--------|-------|-------|-------|-------|-------|-------|-------|-------|-------|-------|-------|
| Inch | 2" | 2-1/2" | 3" | 4" | 5" | 6" | 8" | 10" | 12" | 14" | 16" | 20" | 24" |
| D | 50 | 65 | 80 | 100 | 125 | 150 | 200 | 250 | 300 | 350 | 400 | 500 | 600 |
| D1 | 96 | 104 | 127 | 153 | 180 | 206 | 270 | 320 | 368 | 428 | 482 | 605 | |
| D2 | 125 | 145 | 160 | 180 | 210 | 240 | 295 | 355 | 410 | 470 | 525 | 650 | 725 |
| L | 45 | 47 | 48 | 58 | 59 | 59 | 64 | 70 | 78 | 80 | 108 | 120 | 152 |
| H | 212 | 225 | 256 | 280 | 315 | 345 | 405 | 480 | 554 | | | | |
| n-φd | 4-φ18 | 4-φ18 | 4-φ18 | 4-φ18 | 4-φ18 | 4-φ23 | 4-φ23 | 4-φ23 | 4-φ26 | 4-φ26 | 4-φ26 | 4-φ30 | 4-φ36 |



主要外形及连接尺寸PN10, PN16(1.0MPa,1.6MPa)
 Main Outline and Connecting Size- PN10, PN16(1.0MPa,1.6MPa)

| MEDLE | DN50 | DN65 | DN80 | DN100 | DN125 | DN150 | DN200 | DN250 | DN300 | DN350 | DN400 | DN500 |
|-------|-------|--------|-------|-------|-------|-------|-------|-------|-------|-------|-------|-------|
| Inch | 2" | 2-1/2" | 3" | 4" | 5" | 6" | 8" | 10" | 12" | 14" | 16" | 20" |
| D | 52.7 | 64.4 | 78.8 | 104.2 | 123.3 | 157 | 202.5 | 250.5 | 301.6 | 333.3 | 389.6 | 491.6 |
| D1 | 89 | 104 | 127 | 153 | 180 | 206 | 270 | 320 | 368 | 428 | 482 | 605 |
| D2 | 125 | 145 | 160 | 180 | 210 | 240 | 295 | 355 | 410 | 470 | 525 | 585 |
| L | 41 | 43 | 45 | 50 | 54 | 54 | 60 | 66 | 75.5 | 86.5 | 86.5 | 131.8 |
| H | 207 | 219 | 232 | 262 | 265 | 296 | 353 | 390 | 460 | 508 | 597 | 677 |
| n-φd | 4-φ18 | 4-φ18 | 4-φ18 | 4-φ18 | 4-φ18 | 4-φ23 | 4-φ23 | 4-φ23 | 4-φ26 | 4-φ26 | 4-φ26 | 4-φ30 |



VINCER

GET IN TOUCH VALVE CONSULTANT

Hebe Wong

+86 13826949015

www.vincervalve.com

地址：广东省东莞市东城街道樟村大园路110号1号楼203室
Address: Room No. 203, Building No.1, Zhangcun
Dayuan Road No. 110, Dongcheng District,
Dongguan City, Guangdong Province

