



伟赛尔  
VINCER VALVE  
VALVE AUTOMATION TECHNOLOGY



## 气动衬氟蝶阀

VP12-PTFE VINCER Pneumatic PTFE-Lined Butterfly Valve

## 气动PTFE衬氟蝶阀

### VP12-PTFE VINCER PNEUMATIC PTFE-LINED BUTTERFLY VALVE

气动衬氟蝶阀采用氟塑料衬里，具有优异的耐腐蚀性能，适用于腐蚀性介质的流体控制，广泛应用于化工、制药、电力等领域。

Pneumatic fluorine-lined butterfly valves are lined with fluorine plastic and have excellent corrosion resistance. They are suitable for fluid control of corrosive media and are widely used in chemical industry, pharmaceuticals, electric power and other fields.

#### 技术规范 Technical Parameter

- 标准 Standard: GB、DIN、ANSI、JIS

#### 优势 Advantage

耐腐蚀，良好的密封性能，适用范围广

Corrosion resistance, Good sealing performance, Wide application range



阀体材质: 铸铁、碳钢(WCB)、不锈钢(CF8、CF8M)

阀板材质: 铸铁+聚四氟乙烯(F)

阀座材料: 聚四氟乙烯(F)

作用方式: 双作用、单作用(弹簧复位)

附件选择: 电磁阀、定位器、限位开关、气源处理三联件、手动机构

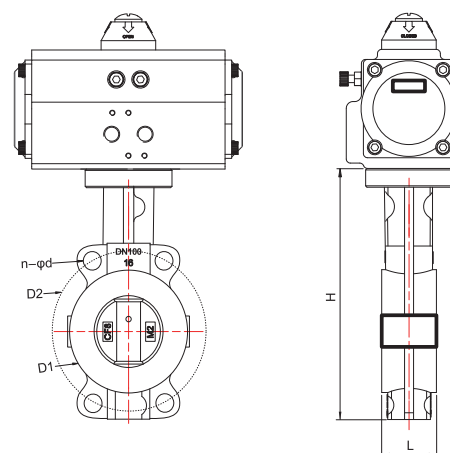
Body Material: Cast Iron, Carbon Steel(WCB), Stainless Steel(CF8, CF8M)

Seat Material: Cast Iron+PTFE

Seat Material: PTFE

Mode of Action: Double-Acting/Single-Acting(Spring Return)

Optional Accessories: Solenoid Valve, Positioner, Limit Switch, F.R.L., Gear box

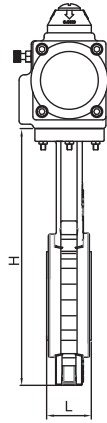
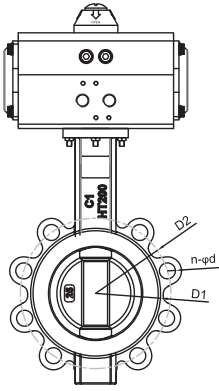


对夹式 Wafer Type

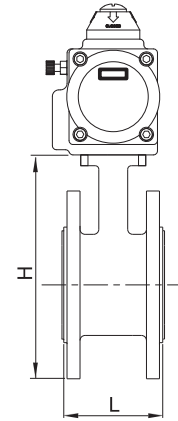
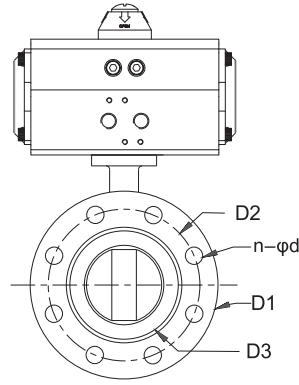
#### 主要外形及连接尺寸PN10(1.0MPa)

#### Main Outline and Connecting Size of Wafer Type- PN10(1.0MPa)

MEDLE	DN50	DN65	DN80	DN100	DN125	DN150	DN200	DN250	DN300	DN350	DN400	DN500
Inch	2"	2-1/2"	3"	4"	5"	6"	8"	10"	12"	14"	16"	20"
D	50	65	80	100	125	150	200	250	300	350	400	500
D1	96	104	127	153	180	206	270	320	368	428	482	605
D2	125	145	160	180	210	240	295	355	410	470	525	585
L	43	46	46	52	56	56	60	68	78	78	102	127
H	212	230	233	270	298	337	407	480	555	610	715	870
n-φd	4-φ18	4-φ18	4-φ18	4-φ18	4-φ18	4-φ23	4-φ23	4-φ23	4-φ23	4-φ23	4-φ25	4-φ25



凸耳式 Lug Type



法兰式 Flange Type

凸耳式主要外形及连接尺寸(1.0MPa)  
Lug Type Main Outline and Connecting Size-10bar(1.0MPa)

MEDLE	DN50	DN65	DN80	DN100	DN125	DN150	DN200	DN250	DN300	DN350	DN400	DN500
Inch	2"	2-1/2"	3"	4"	5"	6"	8"	10"	12"	14"	16"	20"
D	52.7	64.4	78.8	104.2	123.3	157	202.5	250.5	301.6	333.3	389.6	491.6
D1	89	104	127	153	180	206	270	320	368	428	482	605
D2	125	145	160	180	210	240	295	355	410	470	525	585
L	41.4	44	45	52	54	54	55	60	65	76	86	130
H	217	234	252	289	318	341	428	490	567			
n-φd	4-M16	4-M16	8-M16	8-M16	8-M16	8-M20	12-M20	12-M24	12-M24			

法兰连接主要外形及连接尺寸PN10(1.0MPa)  
Flange Type Main Outline and Connecting Size- PN10(1.0MPa)

MEDLE	DN50	DN65	DN80	DN100	DN125	DN150	DN200	DN250	DN300	DN350	DN400	DN500
Inch	2"	2-1/2"	3"	4"	5"	6"	8"	10"	12"	14"	16"	20"
D	50	65	80	100	125	150	200	250	300	350	400	500
D1	165	185	200	220	250	285	340	395	445	505	565	670
D2	125	145	160	180	210	240	295	355	410	470	525	585
D3	96	104	127	153	180	206	270	320	368	428	482	605
L	108	112	114	127	140	140	152	165	178	190	216	229
H	212	230	233	270	298	337	407	480	555	610	715	870
n-φd	4-φ18	4-φ18	8-φ18	8-φ18	8-φ18	8-φ23	8-φ23	12-φ23	12-φ23	16-φ23	16-φ25	20-φ25



VINCER

## GET IN TOUCH VALVE CONSULTANT

**Hebe Wong**

+86 13826949015

[www.vincervalve.com](http://www.vincervalve.com)

地址：广东省东莞市东城街道樟村大园路110号1号楼203室  
Address: Room No. 203, Building No.1, Zhangcun  
Dayuan Road No. 110, Dongcheng District,  
Dongguan City, Guangdong Province

