



伟赛尔  
VINCER VALVE  
VALVE AUTOMATION TECHNOLOGY



## 气动塑料蝶阀

VP12-P VINCER Pneumatic Plastic Butterfly Valve

## 气动塑料蝶阀

### VP12-P VINCER PNEUMATIC PLASTIC BUTTERFLY VALVE

气动塑料蝶阀采用塑料材质制造，具有良好的耐腐蚀性能，广泛应用于废水、环保等行业。Pneumatic plastic butterfly valves are made of plastic material and have good corrosion resistance. They are widely used in wastewater, environmental protection and other industries.



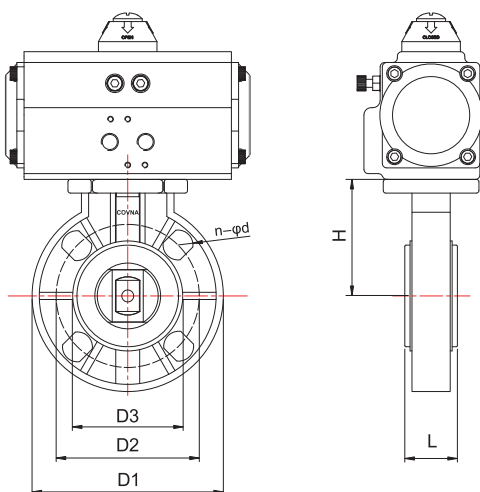
#### 技术规范 Technical Parameter

- 标准 Standard: GB、DIN、ANSI、JIS

#### 优势 Advantage

轻质耐腐蚀，低噪音，耐磨损

Corrosion-resistant, Low noise, Wear-resistant



#### 主要零件材质表 Main Parts Materials

序号 No.	零件名称 Component	材质 Material
1	主阀体 Body	PVC UPVC CPVC PPH PVDF
2	阀板 Ball	PVC UPVC CPVC PPH PVDF
3	阀座 Seat	EPDM FPM
4	O型环 O-Ring	EPDM FPM
5	阀杆 Stem	不锈钢304、316 Stainless Steel 304、316
6	连接套 Connecting Set	不锈钢304、316 Stainless Steel 304、316
7	Screw 螺栓	不锈钢304、316 Stainless Steel 304、316
8	气动执行器 Pneumatic Actuator	AT Series
9	位置指示器 Location Indicator	塑料 Plastic

WWW.VINCERVALVE.COM

#### 主要外形及连接尺寸PN10(1.0MPa)

#### Main Outline and Connecting Size PN10(1.0MPa)

MEDLE	DN50	DN65	DN80	DN100	DN125	DN150	DN200	DN250	DN300
Inch	2"	2-1/2"	3"	4"	5"	6"	8"	10"	12"
D	52.7	64.4	83	104.2	123.3	157	202.5	250.5	300
D1	160	180	195	226	255	280	340	410	470
D2	120	140	155	178	200	230	285	345	400
D3	84	100	120	141	167	190	245	292	
L	44	43	47	52	63	68	80	90	105
H	99	108	131	156	168	182	230	261	305
n-φd	4-φ18	4-φ18	8-φ18	8-φ18	8-φ18	8-φ22	8-φ22	12-φ22	12-φ22



**VINCER VALVE**  
VALVE AUTOMATION TECHNOLOGY

VINCER

## GET IN TOUCH VALVE CONSULTANT

**Hebe Wong**

+86 13826949015

[www.vincervalve.com](http://www.vincervalve.com)

地址：广东省东莞市东城街道樟村大园路110号1号楼203室  
Address: Room No. 203, Building No.1, Zhangcun  
Dayuan Road No. 110, Dongcheng District,  
Dongguan City, Guangdong Province



QUALITY VALVE AND UNBEATABLE VALUE