



伟赛尔  
VINCER VALVE  
VALVE AUTOMATION TECHNOLOGY



## 气动硬密封蝶阀系列

VP12-HA Pneumatic Hard-Seat Butterfly Valve

## 气动硬密封蝶阀

### VP12-HA PNEUMATIC HARD-SEAT BUTTERFLY VALVE

气动硬密封蝶阀采用金属密封结构，具有耐高温、耐高压、耐磨损等特点，适用于高温高压介质的流体控制。

Pneumatic hard-seated butterfly valve adopts metal sealing structure and has the characteristics of high temperature resistance, high pressure resistance and wear resistance. It is suitable for fluid control of high temperature and high pressure media.



#### 技术规范 Technical Parameter

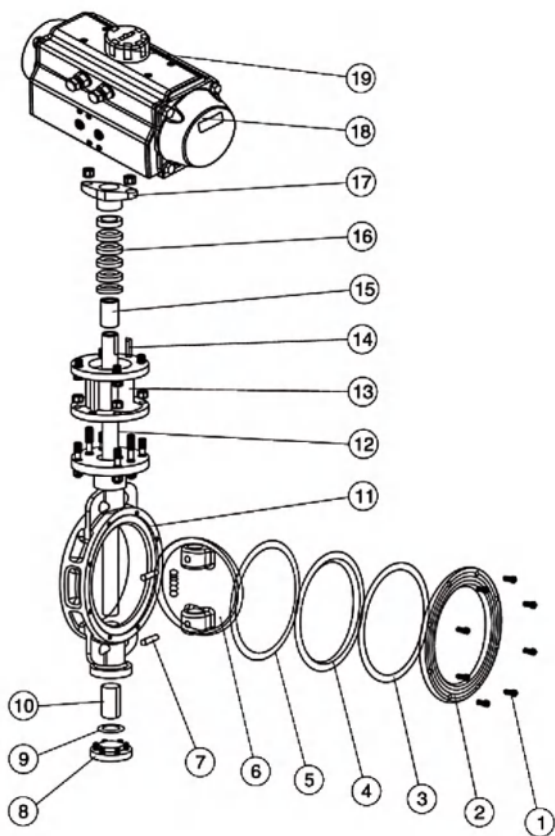
- 设计标准 Design Standard: GB/T 12238、API 609
- 结构长度 Face To Face Dimension: GB/T 12221、ASME B16.10
- 连接法兰尺寸 Connecting Flange Size: GB/T 9113、JB/T 79、ANSI B16.5(2-24")、ANSI B16.47(26-32")
- 试验和检验 Test & Inspection: JB/T 9092、API598

#### 优势 Advantage

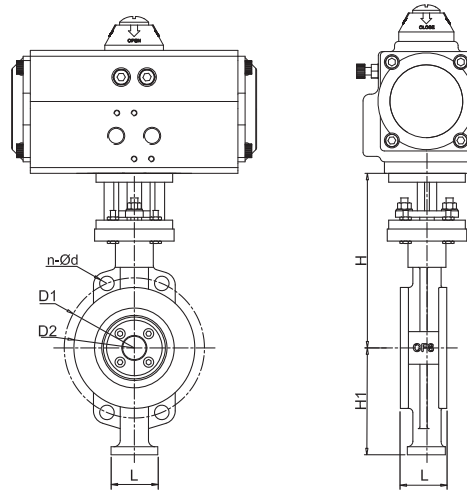
耐高温，耐高压，耐磨损

High temperature resistance, High pressure resistance, Wear resistance

#### 主要零件材质表 Main Parts Materials



序号 No.	零件名称 Component	材质 Material		
		C	P	R
1	内六角螺钉 Inner Hexagon Screw	3.6	3.6	3.6
2	阀盖 Bonnet	WCB	3.6	304
3	垫片 Gasket	3.6	3.6	3.6
4	阀座 Seat	不锈钢+柔性石墨 PTFE Stainless Steel+Graphite PTFE		
5	垫片 Gasket	3.6	3.6	3.6
6	蝶板 Butterfly Plate	WCB	304	304
7	圆柱销 Straight Pin	45	3.6	3.6
8	下盖 Bottom Cover	WCB	304	304
9	垫片 Gasket	不锈钢+柔性石墨 PTFE Stainless Steel+Graphite PTFE		
10	衬套 Bushing	PTFE复合轴承 Composite bearings		
11	阀体 Body	WCB	304	304
12	阀杆 Stem	3.6	3.6	304
13	支架 Yoke	WCB	WCB	WCB
14	键 Key	45	45	45
15	衬套 Bushing	PTFE复合轴承 Composite Bearings		
16	填料 Packing	柔性石墨 PTFE Graphite PTFE		
17	压盖 Gland	WCB	304	304
18	气动执行器 Pneumatic Actuator	AT Series AW Series		
19	位置指示器 Location Indicator	塑料 Plastic		

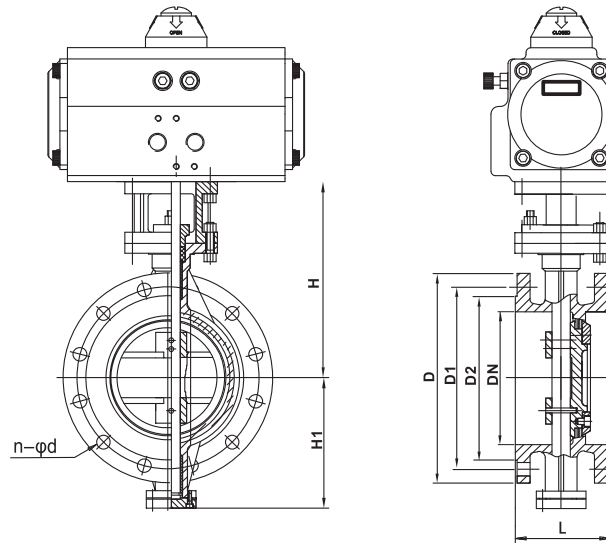


主要外形及连接尺寸GB-PN16(1.6MPa)  
 Main Outline and Connecting Size of GB-PN16(1.6MPa)

MEDLE	DN80	DN100	DN125	DN150	DN200	DN250	DN300	DN350	DN400	DN450	DN500
Inch	3"	4"	5"	6"	8"	10"	12"	14"	16"	18"	20"
D	83	104.2	123.3	157	202.5	250.5	301.6	333.3	389.6	449.5	491.6
D1	160	180	210	240	295	355	410	410	525	585	620
D2	132	156	184	211	266	319	370	429	480	548	582
L	49	56	64	70	71	76	83	83	102	114	127
H	260	298	315	325	380	435	475	475	580	620	660
H1	114	128	148	170	188	235	265	265	335	380	410
n-φd	4-φ18	8-φ18	8-φ18	8-φ22	12-φ23	12-φ26	12-φ26	12-φ26	16-φ30	20-φ30	20-φ33

主要外形及连接尺寸ANSI-Class 150  
 Main Outline and Connecting Size of ANSI-Class 150

MEDLE	DN80	DN100	DN125	DN150	DN200	DN250	DN300	DN350	DN400	DN450	DN500
Inch	3"	4"	5"	6"	8"	10"	12"	14"	16"	18"	20"
D	83	104.2	123.3	157	202.5	250.5	301.6	333.3	389.6	449.5	491.6
D1	152.4	190.5	215.9	241.3	298.5	362	431.8	476.3	539.8	577.9	635
D2	132	156	184	211	266	319	370	429	480	548	582
L	49	56	64	70	71	76	83	83	102	114	127
H	260	298	315	325	380	435	475	475	580	620	660
H1	114	128	148	170	188	235	265	265	335	380	410
n-φd	4-φ18	8-φ18	8-φ18	8-φ22	12-φ23	12-φ26	12-φ26	12-φ26	16-φ30	20-φ30	20-φ33



主要外形及连接尺寸  
 Main Outline and Connecting Size

DN	Inch	L	1.6 MPa				2.5 MPa				150LB				300LB				High	
			D	D1	D2	Z-φd	D	D1	D2	Z-φd	D	D1	D2	Z-φd	D	D1	D2	Z-φd	H	H1
50	2"	108	165	125	102	4-φ18	165	125	102	4-φ18	150	120.7	92	4-φ19	165	127	92	8-φ19	130	96
65	2-1/2"	112	185	145	122	4/8-φ18	185	145	122	8-φ18	180	137.7	105	4-φ19	190	149.2	105	8-φ22	145	97
80	3"	114	200	160	138	8-φ18	200	160	138	8-φ18	190	152.4	127	4-φ19	210	168.3	127	8-φ22	167	108
100	4"	127	220	180	158	8-φ18	235	190	162	8-φ22	230	190.5	157	8-φ19	255	200	157	8-φ22	195	128
125	5"	140	250	210	188	8-φ18	270	220	188	8-φ26	255	215.9	186	8-φ22	280	235	186	8-φ22	240	145
150	6"	140	285	240	212	8-φ22	300	250	218	8-φ26	280	241.3	216	8-φ22	320	269.9	216	12-φ22	260	168
200	8"	152	340	295	268	12-φ22	360	310	278	12-φ26	345	298.5	270	8-φ22	380	330.2	270	12-φ26	290	190
250	10"	165	405	355	320	12-φ26	425	370	335	12-φ30	405	362	324	12-φ26	445	387.4	324	16-φ29	310	235
300	12"	178	460	410	378	16-φ26	485	430	305	16-φ30	485	431.8	381	12-φ26	520	450.8	381	16-φ32	380	266
350	14"	190	520	470	438	16-φ26	555	490	450	16-φ33	535	476.3	413	12-φ29	585	514.4	413	20-φ32	435	300
400	16"	216	580	525	490	16-φ30	620	550	505	16-φ36	595	539.8	470	16-φ29	650	571.5	470	20-φ35	460	330
450	18"	222	640	585	550	20-φ30	670	600	555	20-φ36	635	577.9	533	16-φ32	710	628.6	533	24-φ35	485	355
500	20"	229	715	650	610	20-φ33	730	660	615	20-φ36	700	635	584	20-φ32	775	685.8	584	24-φ35	520	385
600	24"	267	840	770	725	20-φ36	845	770	720	20-φ39	815	749.3	692	20-φ35	915	812.8	692	24-φ42	610	455
700	28"	292	910	840	795	24-φ36	960	875	820	24-φ42	925	863.6	800	28-φ35	1035	939.8	800	28-φ45	675	505



VINCER

## GET IN TOUCH VALVE CONSULTANT

**Hebe Wong**

+86 13826949015

[www.vincervalve.com](http://www.vincervalve.com)

地址：广东省东莞市东城街道樟村大园路110号1号楼203室  
Address: Room No. 203, Building No.1, Zhongcun  
Dayuan Road No. 110, Dongcheng District,  
Dongguan City, Guangdong Province

