



伟赛尔
VINCER VALVE
VALVE AUTOMATION TECHNOLOGY



气动法兰式蝶阀

VP12-F VINCER Pneumatic Flanged Butterfly Valve

气动法兰蝶阀

VP12-F VINCER PNEUMATIC FLANGED BUTTERFLY VALVE

气动法兰蝶阀适用于管道法兰连接，具有结构紧凑、操作可靠、密封性能优异等特点，广泛应用于化工、冶金、电力等领域。

Pneumatic flanged butterfly valve is suitable for pipeline flange connection. It has the characteristics of compact structure, reliable operation and excellent sealing performance. It is widely used in chemical industry, metallurgy, electric power and other fields.

技术规范 Technical Parameter

- 标准 Standard: GB、DIN、ANSI、JIS

优势 Advantage

通用性强，耐高温，可靠的密封性能

Strong versatility, High temperature resistance, Reliable sealing performance



阀体材质: 铸铁、碳钢(WCB)、不锈钢(CF8、CF8M)

阀板材质: 铸铁、不锈钢

阀座材料: 橡胶(X)、聚四氟乙烯(F)

作用方式: 双作用、单作用(弹簧复位)

附件选择: 电磁阀、定位器、限位开关、气源处理三联件、手动机构

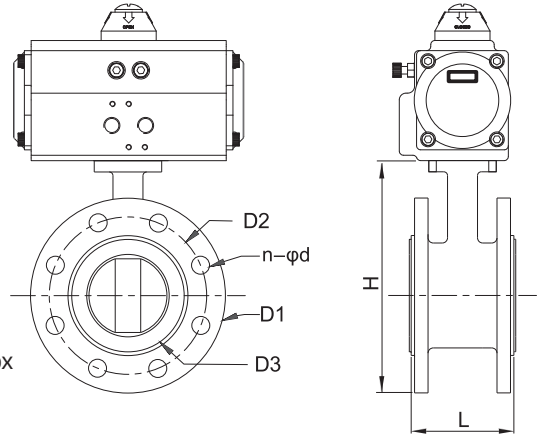
Body Material: Cast Iron, Carbon Steel(WCB), Stainless Steel(CF8, CF8M)

Disc Material: Cast Iron/ Stainless Steel

Seat Material: Rubber, PTFE

Mode of Action: Double-Acting/ Single-Acting(Spring Return)

Optional Accessories: Solenoid Valve, Positioner, Limit Switch, F.R.L, Gear box



主要外形及连接尺寸 PN10, PN16(1.0MPa/1.6MPa)

Main Outline and Connecting Size- PN10, PN16(1.0MPa,1.6MPa)

MEDLE	DN50	DN65	DN80	DN100	DN125	DN150	DN200	DN250	DN300	DN350	DN400	DN500
Inch	2"	2-1/2"	3"	4"	5"	6"	8"	10"	12"	14"	16"	20"
D	52.7	64.4	83	104.2	123.3	157	202.5	250.5	301.6	333.3	389.6	491.6
D1	165	185	200	220	250	285	340	395	445	505	565	670
D2	125	145	160	180	210	240	295	355	410	470	525	620
D3	99	118	132	156	184	211	266	319	370	429	480	582
L	108	112	114	127	140	140	150	165	185	195	216	229
H	192	207	224	255	290	325	386	460	510	565	632	759
n-φd	4-φ18	4-φ18	8-φ18	8-φ18	8-φ18	8-φ22	8-φ22	12-φ22	12-φ22	16-φ22	16-φ26	20-φ26



VINCER VALVE
VALVE AUTOMATION TECHNOLOGY

VINCER

GET IN TOUCH VALVE CONSULTANT

Hebe Wong

+86 13826949015

www.vincervalve.com

地址：广东省东莞市东城街道樟村大园路110号1号楼203室
Address: Room No. 203, Building No.1, Zhangcun
Dayuan Road No. 110, Dongcheng District,
Dongguan City, Guangdong Province



QUALITY VALVE AND UNBEATABLE VALUE