



伟赛尔  
VINCER VALVE  
VALVE AUTOMATION TECHNOLOGY



## 气动三通螺纹球阀

VP11-T3 VINCER Pneumatic Threaded 3-Way Ball Valve

## 气动三通螺纹球阀

### VP11-T3 VINCER PNEUMATIC THREADED 3-WAY BALL VALVE

气动三通螺纹球阀可实现多种流体控制方式，适用于多路流体分流或合流的场合，为你提供可靠的操作性能。

Pneumatic three-way threaded ball valve can realize a variety of fluid control methods and is suitable for situations where multiple fluids divide or merge, providing you with reliable operating performance.



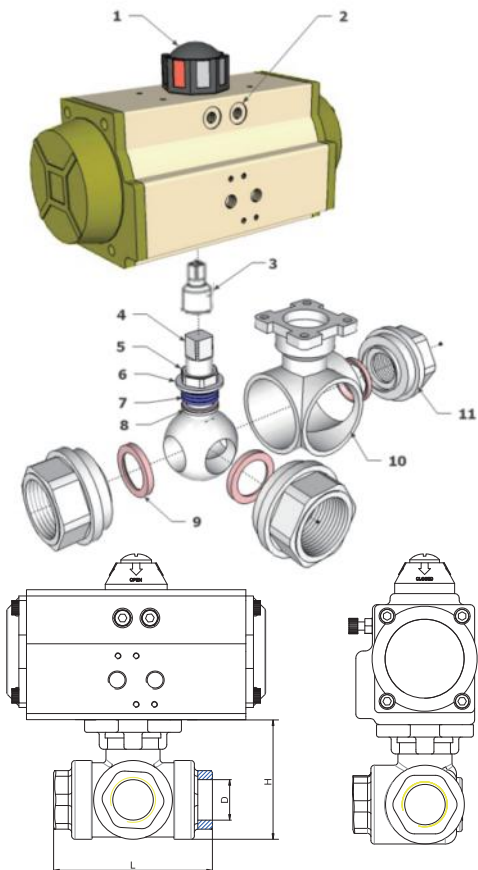
#### 技术规范 Technical Parameter

- 设计标准 Design Standard: GB/T 12237
- 试验和检验 Test & Inspection: GB/T 26480

#### 优势 Advantage

多功能性，耐腐蚀性，高效节能

Versatility, Corrosion resistance, Energy efficiency



#### 主要零件材质表 Main Parts Materials

序号 No.	零件名称 Component	材质 Material
1	位置指示器 Location Indicator	塑料 Plastic
2	气动执行器 Pneumatic Actuator	AT Series
3	连接套 Connecting Set	不锈钢304 Stainless Steel 304
4	阀杆 Stem	不锈钢304、304L、316、316L Stainless Steel 304、304、316、316L
5	螺栓 Screw	不锈钢304、316L Stainless Steel 304、316L
6	压盖 Gland	不锈钢304、316L Stainless Steel 304、316L
7	填料 Packing	聚四氟乙烯 (PTFE)
8	球体 Ball	不锈钢304、304L、316、316L Stainless Steel 304、304L、316、316L
9	阀座 Seat	PTFE、对位聚苯 (PPL) 硬质合金 (H/Y)
10	主阀体 Body	不锈钢CF8、CF8M、CF3、CF3M Stainless Steel CF8、CF8M、CF3、CF3M
11	分阀体 Body	不锈钢CF8、CF8M、CF3、CF3M Stainless Steel CF8、CF8M、CF3、CF3M

WWW.VINCERVALVE.COM

#### 主要外形及连接尺寸 Main Outline and Connecting

MEDLE	DN08	DN10	DN15	DN20	DN25	DN32	DN40	DN50	DN65
G	1/4"	3/8"	1/2"	3/4"	1"	1-1/4"	1-1/2"	2"	2-1/2"
D	10	12	12	15	20	25	32	38	48.5
L	71	71	74	88	92	124	138	154	180
H	56	56	58	60	70	82	95	100	180



**VINCER VALVE**  
VALVE AUTOMATION TECHNOLOGY

VINCER

## GET IN TOUCH VALVE CONSULTANT

**Hebe Wong**

+86 13826949015

[www.vincervalve.com](http://www.vincervalve.com)

地址：广东省东莞市东城街道樟村大园路110号1号楼203室  
Address: Room No. 203, Building No.1, Zhangcun  
Dayuan Road No. 110, Dongcheng District,  
Dongguan City, Guangdong Province



QUALITY VALVE AND UNBEATABLE VALUE