



伟赛尔
VINCER VALVE
VALVE AUTOMATION TECHNOLOGY



气动塑料球阀系列

VP11-P VINCER Pneumatic Plastic Ball Valve Series

气动塑料球阀

VP11-P VINCER PNEUMATIC PLASTIC BALL VALVE

气动两通塑料球阀采用优质塑料材料制成，具有轻便、耐腐蚀等特点，适用于化工、水处理等领域。

Pneumatic two-way plastic ball valve is made of high-quality plastic materials and is lightweight and corrosion-resistant. It is suitable for chemical industry, water treatment and other fields.



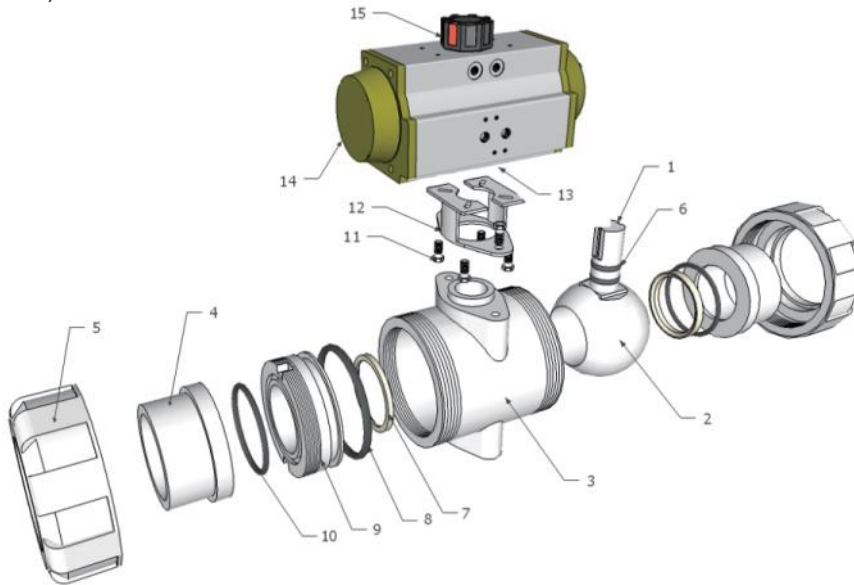
技术规范 Technical Parameter

- 连接尺寸 Connecting Size: GB/T 17219
- 试验和检验 Test & Inspection: GB/T 2828.1

优势 Advantage

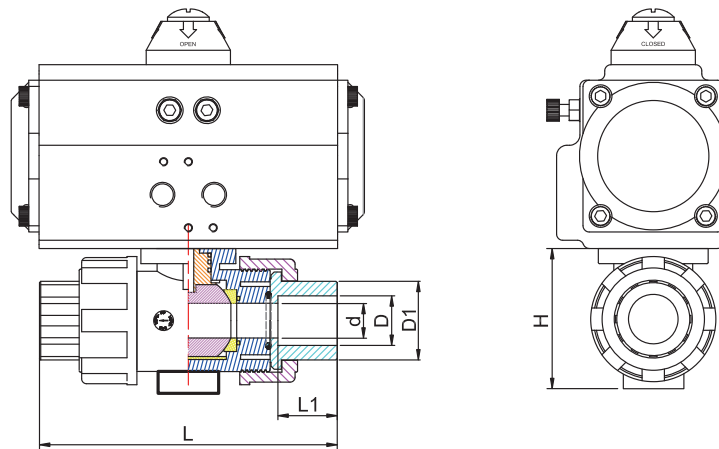
轻质耐腐蚀，低成本，耐磨损

Corrosion-resistant, Low cost, Wear-resistant



主要零件材质表 Main Parts Materials

序号 No.	零件名称	Component	材质 Material
1	阀杆	Stem	SS304、304L、316、316L
2	阀芯	Ball	UPVC/PPH/CPVC/PVDF
3	阀体	Body	UPVC/PPH/CPVC/PVDF
4	接管	Endconnector	UPVC/PPH/CPVC/PVDF
5	锁母	Union Nut	UPVC/PPH/CPVC/PVDF
6	O型环	O-Ring	PTFE
7	密封	Seat Seal	EPDM/FPM
8	承载体	Seat	UPVC/PPH/CPVC/PVDF
9	O型环	O-Ring	EPDM/FPM
10	螺栓	Screw	不锈钢304 SS304
11	连接支架	Connecting Yoke	不锈钢304 SS304
12	连接套	Connecting Set	不锈钢304 SS304
13	气动执行器	Pneumatic Actuator	AT Series
14	位置指示器	Location Indicator	塑料 Plastic



主要外形及连接尺寸-PN16(1.6MPa) Dimension of 2 way pneumatic UPVC ball valve-PN16

MEDLE	DN15	DN20	DN25	DN32	DN40	DN50	DN65	DN80	DN100	DN125	DN150	DN200	
G	1/2"	3/4"	1"	1-1/4"	1-1/2"	2"	2-1/2"	3"	4"	5"	6"	8"	
GB=DIN	d	16	20	25	30	38	50	63	78	100	125	150	200
	D	20	25	32	40	50	63	75	90	110	141.3	168.3	225
ANSI	d	16	20	25	30	38	50	63	78	100	125	150	200
	D	21.3	26.7	33.4	42.2	48.3	60.3	73	88.9	114.3	141.3	168.3	219
JIS	d	16	20	25	30	38	50	63	78	100	125	150	200
	D	22	26	32	38	48	60	76	89	114	140	165	216
UK	d	16	20	25	30	38	50	63	78	100	125	150	200
	D	22	26	34	42	48	60	76	89	114	140	165	216
D1	30	36	45	55	64	77	96	112	141				
L1	22.8	25	28.5	32	34.8	39	46	48	64.5				
L	121.8	134.5	150.2	166.8	179	205	233	257	309				
H	61	74	90	104	121	146	169	220	255				

气动塑料三通球阀

VP11-P3 VINCER PNEUMATIC 3-WAY PLASTIC BALL VALVE

气动三通塑料球阀可实现多种流体控制方式，为你提供多功能的塑料阀门解决方案。
Pneumatic three-way plastic ball valve can realize a variety of fluid control methods, providing you with multi-functional plastic valve solutions.

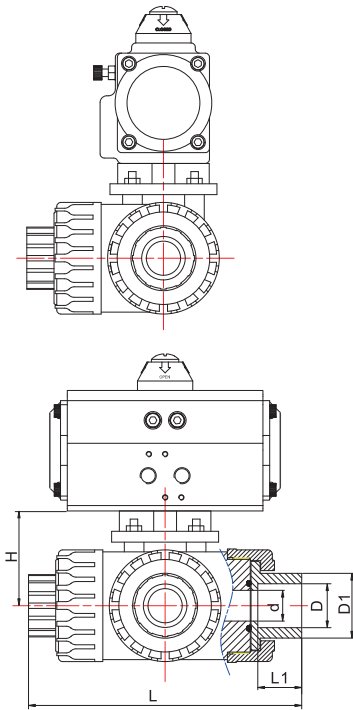


技术规范 Technical Parameter

- 连接尺寸 Connecting Size: GB/T 17219
- 试验和检验 Test & Inspection: GB/T 2828.1

优势 Advantage

高密封性，耐腐蚀，安装方便
High sealing performance, Corrosion resistance, Easy installation



主要零件材质表 Main Parts Materials

序号 No.	零件名称 Component	材质 Material
1	位置指示器 Location Indicator	塑料 Plastic
2	气动执行器 Pneumatic Actuator	AT Series
3	连接套 Connecting Set	不锈钢304 Stainless Steel 304
4	阀杆 Stem	不锈钢304、304L、316、316L Stainless Steel 304、304、316、316L
5	螺栓 Screw	不锈钢304、316L Stainless Steel 304、316L
6	填料 Packing	聚四氟乙烯(PTFE)
7	O型环 O-Ring	EPDM/VITON
8	阀座 Seat	UPVC/PPH/CPVC
9	球体 Ball	UPVC/PPH/CPVC
10	锁母 Union Nut	UPVC/PPH/CPVC
11	接管 Endconnector	UPVC/PPH/CPVC
12	阀体 Body	UPVC/PPH/CPVC

主要外形及连接尺寸 Main Outline and Connecting

MEDLE	DN15	DN20	DN25	DN32	DN40	DN50
G	1/2"	3/4"	1"	1-1/4"	1-1/2"	2"
d	14	20	25	30	38	50
D	20	25	32	40	50	63
D1	30	36	45	55	64	77
L1	22.8	25	28.5	32	34.8	39
L	163	172	200	208	240	246
H	69	69	72	72	110	110



VINCER VALVE
VALVE AUTOMATION TECHNOLOGY

VINCER

GET IN TOUCH VALVE CONSULTANT

Hebe Wong

+86 13826949015

www.vincervalve.com

地址：广东省东莞市东城街道樟村大园路110号1号楼203室
Address: Room No. 203, Building No.1, Zhongcun
Dayuan Road No. 110, Dongcheng District,
Dongguan City, Guangdong Province



QUALITY VALVE AND UNBEATABLE VALUE