



伟赛尔  
VINCER VALVE  
VALVE AUTOMATION TECHNOLOGY



## 气动高压球阀系列

VP11-H VINCER Pneumatic High-Pressure Ball Valve Series

## 气动高压球阀

### VP11-H VINCER PNEUMATIC HIGH-PRESSURE BALL VALVE

气动两通高压球阀是一种专为高压流体控制而设计的阀门，能够快速、可靠地控制高压流体。

Pneumatic two-way high-pressure ball valve is a valve specially designed for high-pressure fluid control, which can control high-pressure fluid quickly and reliably.

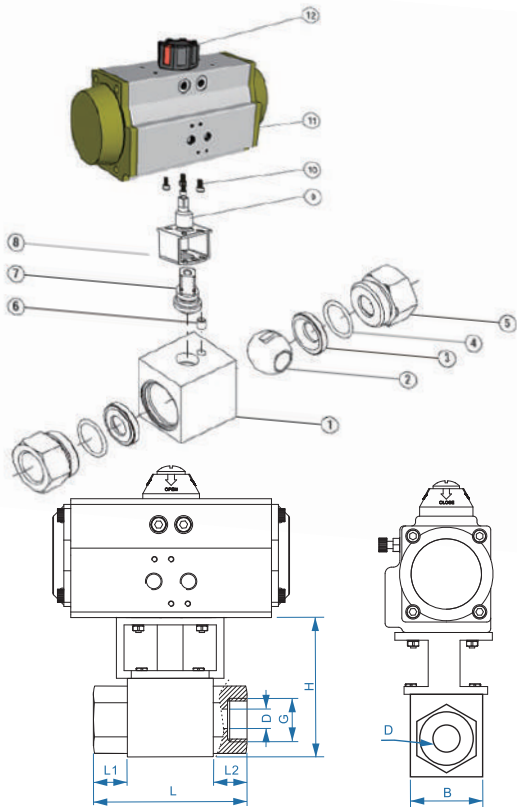


#### 技术规范 Technical Parameter

- 设计标准 Design Standard: HGT 1289-2001
- 试验和检验 Test & Inspection: GB/T 12247-2009

#### 优势 Advantage

耐高压，耐磨损，安全可靠  
 High pressure resistance,  
 Wear resistance, Safe and reliable



#### 主要零件材质表 Main Parts Materials

序号 No.	零件名称 Component	材质 Material
1	主阀体 Body	不锈钢304、316、316L Stainless Steel 304, 316, 316L
2	球体 Ball	不锈钢304、316、316L Stainless Steel 304, 316, 316L
3	阀座 Seat	聚四氟乙烯(PTFE)、对位聚苯(PPL)
4	O型环 O-Ring	聚四氟乙烯(PTFE)
5	分阀体 Body	不锈钢CF8、CF8M、CF3、CF3M Stainless Steel CF8, CF8M, CF3, CF3M
6	圆柱销 Cylindrical Pin	不锈钢304、316 Stainless Steel 304, 316
7	阀杆 Stem	不锈钢304、316、316L Stainless Steel 304, 316, 316L
8	连接支架 Connecting Yoke	不锈钢304、316 Stainless Steel 304, 316
9	连接套 Connecting Set	不锈钢304、316 Stainless Steel 304, 316
10	Screw 螺栓	不锈钢304 Stainless Steel 304
11	气动执行器 Pneumatic Actuator	AT Series
12	位置指示器 Location Indicator	塑料 Plastic

WWW.VINCERVALVE.COM

#### 主要外形及连接尺寸 Dimension of 2 way high-pressure pneumatic ball valve

MEDLE	DN08	DN10	DN15	DN20	DN25	DN32	DN40	DN50
G	1/4"	3/8"	1/2"	3/4"	1"	1-1/4"	1-1/2"	2"
D	6	8	10	14.6	19.6	24.8	30	39.6
B	45	45	45	55	66	77	95	
H	43	43	43	53	64	70	79	
L	80	80	82	101	120	127	150	
L1	19	19	20	25	29	30	28	
L2	19	19	20	25	29	30	28	

## 气动高压三通球阀

### VP11-H3 VINCER PNEUMATIC HIGH-PRESSURE 3-WAY BALL VALVE

气动三通高压球阀具有优异的耐压性能和可靠的操作特性，可实现多种流体控制方式。  
 Pneumatic three-way high-pressure ball valve has excellent pressure resistance and reliable operating characteristics, and can realize a variety of fluid control methods.

#### 技术规范 Technical Parameter

- 设计标准 Design Standard: HGT 1289-2001
- 试验和检验 Test & Inspection: GB/T 12247-2009

#### 优势 Advantage

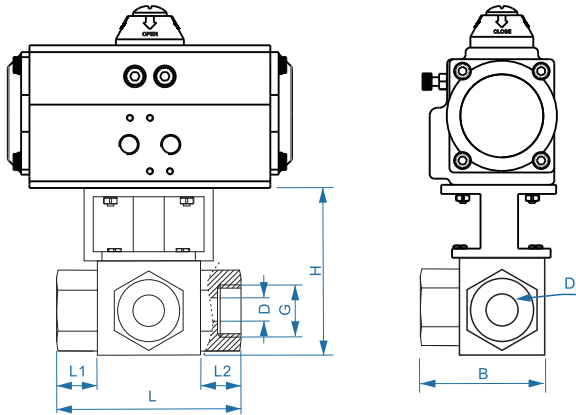
耐高压，耐磨损，安全可靠

High pressure resistance, Wear resistance, Safe and reliable



#### 主要零件材质表 Main Parts Materials

序号 No.	零件名称 Component	材质 Material
1	主阀体 Body	不锈钢304、304L、316、316L Stainless Steel 304、304L、316、316L
2	球体 Ball	不锈钢304、304L、316、316L Stainless Steel 304、304L、316、316L
3	阀座 Seat	PTFE、对位聚苯(PPL)
4	O型环 O-Ring	聚四氟乙烯(PTFE)
5	分阀体 Body	不锈钢CF8、CF8M、CF3、CF3M Stainless Steel CF8、CF8M、CF3、CF3M
6	圆柱销 Cylindrical Pin	不锈钢304、316 Stainless Steel 304、316
7	阀杆 Stem	不锈钢304、316、316L Stainless Steel 304、316、316L
8	连接支架 Connecting Yoke	不锈钢304、316 Stainless Steel 304、316
9	连接套 Connecting Set	不锈钢304、316 Stainless Steel 304、316
10	Screw 螺栓	不锈钢304、316 Stainless Steel 304、316
11	气动执行器 Pneumatic Actuator	AT Series
12	位置指示器 Location Indicator	塑料 Plastic



#### 主要外形及连接尺寸 Main Outline and Connecting

MEDLE	DN08	DN10	DN15	DN20	DN25	DN32	DN40	DN50
G	1/4"	3/8"	1/2"	3/4"	1"	1-1/4"	1-1/2"	2"
D	8	10	15	20	25	32	40	50
B	64	64	65	80	95	107	123	
H	43	43	43	53	64	70	79	
L	80	80	82	101	120	127	150	
L1	19	19	20	25	29	30	28	
L2	19	19	20	25	29	30	28	



**VINCER VALVE**  
VALVE AUTOMATION TECHNOLOGY

VINCER

## GET IN TOUCH VALVE CONSULTANT

**Hebe Wong**

+86 13826949015

[www.vincervalve.com](http://www.vincervalve.com)

地址：广东省东莞市东城街道樟村大园路110号1号楼203室  
Address: Room No. 203, Building No.1, Zhangcun  
Dayuan Road No. 110, Dongcheng District,  
Dongguan City, Guangdong Province



QUALITY VALVE AND UNBEATABLE VALUE