



伟赛尔  
VINCER VALVE  
VALVE AUTOMATION TECHNOLOGY



## 气动衬氟法兰球阀

VP11-F-PTFE Pneumatic PTFE-Lined Ball Valve

## 气动PTFE衬氟球阀

### VP11-F-PTFE VINCER PNEUMATIC PTFE-LINED BALL VALVE

气动衬氟球阀具有优异的耐腐蚀性能，适用于腐蚀性介质的流体控制，广泛应用于化工、制药、电力等领域。

Pneumatic PTFE-lined ball valves have excellent corrosion resistance and are suitable for fluid control of corrosive media. They are widely used in chemical industry, pharmaceuticals, electric power and other fields.



#### 技术规范 Technical Parameter

- 设计标准 Design Standard: GB/T 12237
- 结构长度 Face To Face Dimension: GB/T 12221
- 连接法兰尺寸 Connecting Flange Size: GB/T 9113、HG20592、JB/T 79、GB/T 12224
- 试验和检验 Test & Inspection: JB/T 9092、GB/T 26480

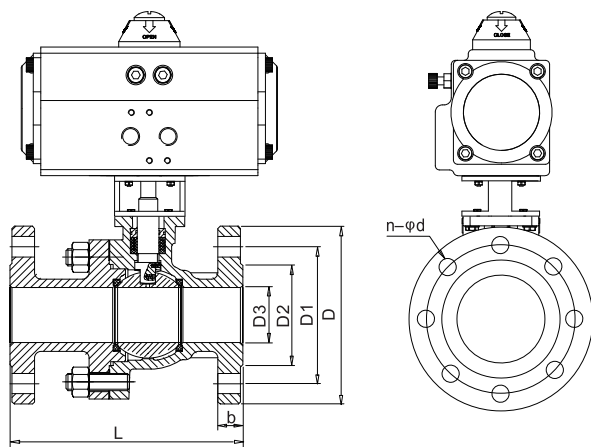
#### 优势 Advantage

多路控制，耐腐蚀性，高效节能

Multi-channel control, Corrosion resistance, High efficiency and energy saving

#### 主要零件材质表 Main Parts Materials

序号 No.	零件名称 Component	材质 Material
1	主阀体 Body	铸铁、铸钢、不锈钢 Cast Iron, WCB, Stainless Steel
2	球体 Ball	铸铁、铸钢、不锈钢 Cast Iron, WCB, Stainless Steel
3	内衬材料/阀座 Lining Material/Seat	聚四氟乙烯(PTFE)
4	填料 Packing	聚四氟乙烯(PTFE)
5	压盖 Cap	铸铁、铸钢、不锈钢 Cast Iron, WCB, Stainless Steel
6	阀杆 Stem	不锈钢304、316 Stainless Steel 304, 316
7	连接套 Connecting Set	不锈钢304、316 Stainless Steel 304, 316
8	Screw 螺栓	不锈钢304、316 Stainless Steel 304, 316
9	气动执行器 Pneumatic Actuator	AT Series
10	位置指示器 Location Indicator	塑料 Plastic



#### 主要外形及连接法兰尺寸1.6MPa Main Outline and Connecting Flange Size 1.6MPa

MEDLE	DN15	DN20	DN25	DN32	DN40	DN50	DN65	DN80	DN100	DN125	DN150	DN200
Inch	1/2"	3/4"	1"	1-1/4"	1-1/2"	2"	2-1/2"	3"	4"	5"	6"	8"
D3	15	20	25	30	40	50	65	80	100	125	150	200
D2	45	55	65	78	85	100	120	135	155	185	210	265
D1	65	75	85	100	110	125	145	160	180	210	240	295
D	95	105	115	135	145	160	180	195	215	245	280	335
b	14	16	16	18	18	20	20	22	22	24	24	26
L	140	140	150	165	180	200	220	250	280	320	360	400
n-φd	4-φ14	4-φ14	4-φ14	4-φ18	4-φ18	4-φ18	4-φ18	4/8-φ18	8-φ18	8-φ18	8-φ23	12-φ23



VINCER

## GET IN TOUCH VALVE CONSULTANT

**Hebe Wong**

+86 13826949015

[www.vincervalve.com](http://www.vincervalve.com)

地址：广东省东莞市东城街道樟村大园路110号1号楼203室  
Address: Room No. 203, Building No.1, Zhongcun  
Dayuan Road No. 110, Dongcheng District,  
Dongguan City, Guangdong Province





伟赛尔  
VINCER VALVE  
VALVE AUTOMATION TECHNOLOGY



## 气动高压球阀系列

VP11-H VINCER Pneumatic High-Pressure Ball Valve Series



## 气动高压球阀

### VP11-H VINCER PNEUMATIC HIGH-PRESSURE BALL VALVE

气动两通高压球阀是一种专为高压流体控制而设计的阀门，能够快速、可靠地控制高压流体。

Pneumatic two-way high-pressure ball valve is a valve specially designed for high-pressure fluid control, which can control high-pressure fluid quickly and reliably.



#### 技术规范 Technical Parameter

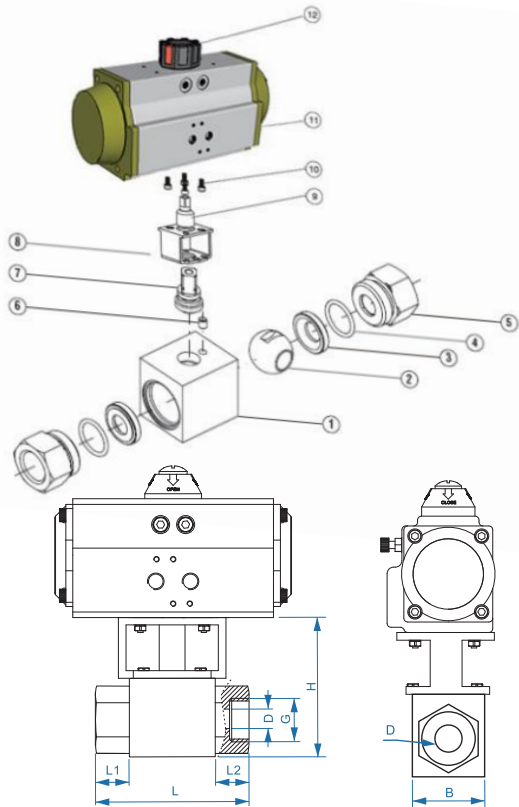
- 设计标准 Design Standard: HGT 1289-2001
- 试验和检验 Test & Inspection: GB/T 12247-2009

#### 优势 Advantage

耐高压，耐磨损，安全可靠

High pressure resistance,

Wear resistance, Safe and reliable



#### 主要零件材质表 Main Parts Materials

序号 No.	零件名称 Component	材质 Material
1	主阀体 Body	不锈钢304、316、316L Stainless Steel 304、316、316L
2	球体 Ball	不锈钢304、316、316L Stainless Steel 304、316、316L
3	阀座 Seat	聚四氟乙烯(PTFE)、对位聚苯(PPL)
4	O型环 O-Ring	聚四氟乙烯(PTFE)
5	分阀体 Body	不锈钢CF8、CF8M、CF3、CF3M Stainless Steel CF8、CF8M、CF3、CF3M
6	圆柱销 Cylindrical Pin	不锈钢304、316 Stainless Steel 304、316
7	阀杆 Stem	不锈钢304、316、316L Stainless Steel 304、316、316L
8	连接支架 Connecting Yoke	不锈钢304、316 Stainless Steel 304、316
9	连接套 Connecting Set	不锈钢304、316 Stainless Steel 304、316
10	Screw 螺栓	不锈钢304 Stainless Steel 304
11	气动执行器 Pneumatic Actuator	AT Series
12	位置指示器 Location Indicator	塑料 Plastic

WWW.VINCERVALVE.COM

#### 主要外形及连接尺寸 Dimension of 2 way high-pressure pneumatic ball valve

MEDLE	DN08	DN10	DN15	DN20	DN25	DN32	DN40	DN50
G	1/4"	3/8"	1/2"	3/4"	1"	1-1/4"	1-1/2"	2"
D	6	8	10	14.6	19.6	24.8	30	39.6
B	45	45	45	55	66	77	95	
H	43	43	43	53	64	70	79	
L	80	80	82	101	120	127	150	
L1	19	19	20	25	29	30	28	
L2	19	19	20	25	29	30	28	

## 气动高压三通球阀

### VP11-H3 VINCER PNEUMATIC HIGH-PRESSURE 3-WAY BALL VALVE

气动三通高压球阀具有优异的耐压性能和可靠的操作特性，可实现多种流体控制方式。  
Pneumatic three-way high-pressure ball valve has excellent pressure resistance and reliable operating characteristics, and can realize a variety of fluid control methods.

#### 技术规范 Technical Parameter

- 设计标准 Design Standard: HGT 1289-2001
- 试验和检验 Test & Inspection: GB/T 12247-2009

#### 优势 Advantage

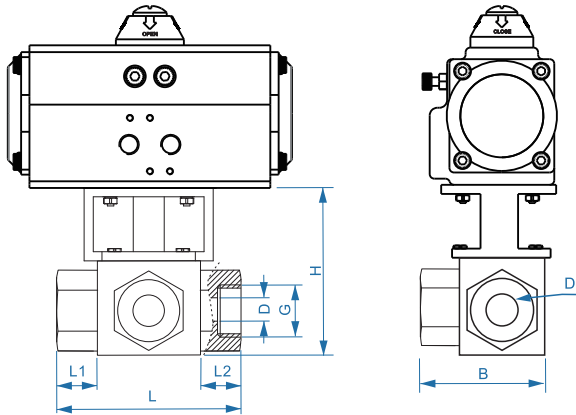
耐高压，耐磨损，安全可靠

High pressure resistance, Wear resistance, Safe and reliable



#### 主要零件材质表 Main Parts Materials

序号 No.	零件名称 Component	材质 Material
1	主阀体 Body	不锈钢304、304L、316、316L Stainless Steel 304、304L、316、316L
2	球体 Ball	不锈钢304、304L、316、316L Stainless Steel 304、304L、316、316L
3	阀座 Seat	PTFE、对位聚苯(PPL)
4	O型环 O-Ring	聚四氟乙烯(PTFE)
5	分阀体 Body	不锈钢CF8、CF8M、CF3、CF3M Stainless Steel CF8、CF8M、CF3、CF3M
6	圆柱销 Cylindrical Pin	不锈钢304、316 Stainless Steel 304、316
7	阀杆 Stem	不锈钢304、316、316L Stainless Steel 304、316、316L
8	连接支架 Connecting Yoke	不锈钢304、316 Stainless Steel 304、316
9	连接套 Connecting Set	不锈钢304、316 Stainless Steel 304、316
10	Screw 螺栓	不锈钢304、316 Stainless Steel 304、316
11	气动执行器 Pneumatic Actuator	AT Series
12	位置指示器 Location Indicator	塑料 Plastic



#### 主要外形及连接尺寸 Main Outline and Connecting

MEDLE	DN08	DN10	DN15	DN20	DN25	DN32	DN40	DN50
G	1/4"	3/8"	1/2"	3/4"	1"	1-1/4"	1-1/2"	2"
D	8	10	15	20	25	32	40	50
B	64	64	65	80	95	107	123	
H	43	43	43	53	64	70	79	
L	80	80	82	101	120	127	150	
L1	19	19	20	25	29	30	28	
L2	19	19	20	25	29	30	28	



VINCER

## GET IN TOUCH VALVE CONSULTANT

**Hebe Wong**

+86 13826949015

[www.vincervalve.com](http://www.vincervalve.com)

地址：广东省东莞市东城街道樟村大园路110号1号楼203室  
Address: Room No. 203, Building No.1, Zhangcun  
Dayuan Road No. 110, Dongcheng District,  
Dongguan City, Guangdong Province





VINCER

## GET IN TOUCH VALVE CONSULTANT

**Hebe Wong**

+86 13826949015

[www.vincervalve.com](http://www.vincervalve.com)

地址：广东省东莞市东城街道樟村大园路110号1号楼203室  
Address: Room No. 203, Building No.1, Zhongcun  
Dayuan Road No. 110, Dongcheng District,  
Dongguan City, Guangdong Province

