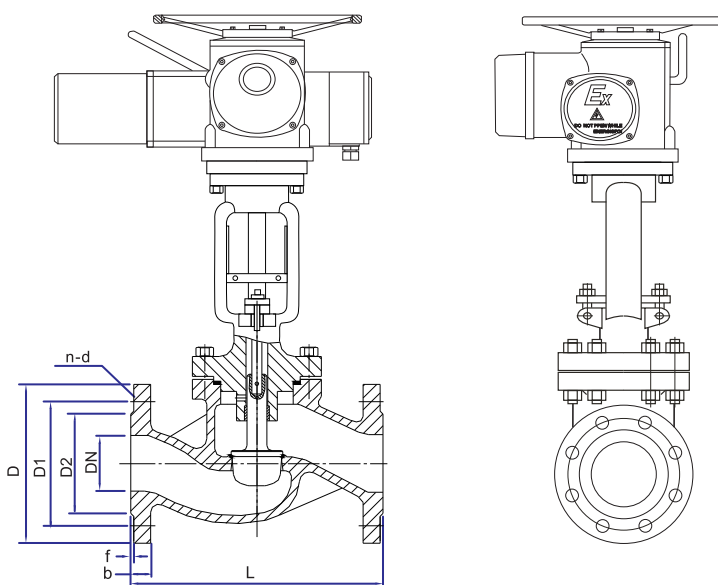


VE30-EGO VINCER ELECTRIC GLOBE VALVE

Revolutionize your industrial automation with our electric globe valve, providing unparalleled precision and effortless operation to optimize fluid control within your systems.

Technical Parameter

- Design and Manufacture: GB 12235、ANSI B16.34 BS1873、JIS B2071 B2081
- Structure Length: GB 12221、ASME B16.10、JIS B2002
- Pressure-temperature rating: GB/T 12224、ASME B16.34、JIS B2212 B2214
- Connection flange: JB/T79/82~1994、GB 9113、HG20592-20635、ANSI B16.5
JIS B2071 B2081
- Test and Inspection: JB/T 9092-1999、GB 13927、API 598、JIS B2003



Main Parts Materials

Component	Material								
	CF8	CF3	CF8M	CF3M	WCB	LCB	WC6	WC9	C5
Body/Bonnet	CF8	CF3	CF8M	CF3M	WCB	LCB	WC6	WC9	C5
Wedge	CF8	CF3	CF8M	CF3M	WCB	LCB	WC6	WC9	C5
Stem	F304	F304L	F316	F316L	2CR13	F304	F304	F304	F304
Stem Nut	Aluminium Bronze								
Packing	PTFE/Flexible graphite				Graphite				
Gasket	PTFE/Metal spiral wound pads				Graphite				
Gland	CF8	CF3	CF8M	CF3M	WCB	LCB	WC6	WC9	C5
Bolt	Stainless Steel				35CrMoA				
Nut	Stainless Steel				45、35CrMoA				
Handwheel	Stainless Steel/Cast Steel								

Main Outline and Connecting(GB)

MEDLE	Inch	D	D1	D2	n-d	b	f	L	
1.0	DN15	1/2"	95	65	45	4-14	14	2	130
	DN20	3/4"	105	75	55	4-14	14	2	150
	DN25	1"	115	85	65	4-14	14	2	160
	DN32	1-1/4"	140/135	100	75	4-18	16	2	180
	DN40	1-1/2"	150/145	110	85	4-18	16	2	200
	DN50	2"	165/160	125	100	4-18	16	3	230
	DN65	2-1/2"	185/180	145	120	4-18	18	3	290
	DN80	3"	200/195	160	135	8-18	20	3	310
	DN100	4"	220/215	180	155	8-18	20	3	350
	DN125	5"	245	210	185	8-18	22	2	400
	DN150	6"	280	240	210	8-22	24	2	480
	DN200	8"	335	295	265	8-22	24	2	500
	DN250	10"	390	350	320	12-22	26	2	550
	DN300	12"	440	400	368	12-22	26	2	750
	DN350	14"	500	460	428	16-22	26	2	850
DN400	16"	565	515	482	16-26	26	2	950	
DN450	18"	615	656	532	20-26	28	2	1050	
DN500	20"	670	620	585	20-26	28	2	1150	
1.6	DN15	1/2"	95	65	45	4-14	14	2	130
	DN20	3/4"	105	75	55	4-14	14	2	150
	DN25	1"	115	85	65	4-14	14	2	160
	DN32	1-1/4"	140/135	100	75	4-18	16	2	180
	DN40	1-1/2"	150/145	110	85	4-18	16	2	200
	DN50	2"	165/160	125	100	4-18	16	3	230
	DN65	2-1/2"	185/180	145	120	4-18	18	3	290
	DN80	3"	200/195	160	135	8-18	20	3	310
	DN100	4"	220/215	180	155	8-18	20	3	350
	DN125	5"	220/215	210	185	8-18	22	3	400
	DN150	6"	250/245	240	210	8-23	24	3	480
	DN200	8"	285/280	295	265	12-23	26	3	500
	DN250	10"	340/335	355	320	12-25	30	3	550
	DN300	12"	405	410	375	12-25	30	3	750
	DN350	14"	460	470	435	16-30	34	4	850
DN400	16"	520	525	485	16-30	36	4	950	
DN450	18"	580/640	585	545	20-30	40	4	1050	
DN500	20"	715/705	650	608	20-34	44	4	1150	

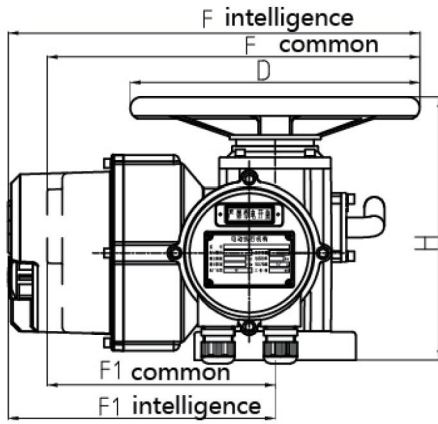

Main Outline and Connecting(ANSI)

MEDLE		Inch	D	D1	D2	n-d	b	f	L
150 Class	DN15	1/2"	90	60.3	34.9	4-16	11.5	2	108
	DN20	3/4"	100	69.9	42.9	4-16	13	2	117
	DN25	1"	110	79.4	50.8	4-16	14.5	2	127
	DN32	1-1/4"	115	88.9	63.5	4-16	16	2	140
	DN40	1-1/2"	125	98.4	73	4-16	17.5	2	165
	DN50	2"	150	120.7	92.1	4-19	19.5	2	203
	DN65	2-1/2"	180	139.7	104.8	4-19	22.5	2	216
	DN80	3"	190	152.4	127	4-19	24	2	241
	DN100	4"	230	190.5	157.2	8-19	24	2	292
	DN125	5"	255	215.9	185.7	8-22	24	2	356
	DN150	6"	280	241.3	215.9	8-22	25.5	2	406
	DN200	8"	345	298.5	269.9	8-22	29	2	495
	DN250	10"	405	362	323.8	12-25	30.5	2	622
	DN300	12"	485	431.8	381	12-25	32	2	698
DN350	14"	535	476.3	412.8	12-29	35	2	787	
DN400	16"	595	539.8	469.9	16-29	37	2	914	
300 Class	DN15	1/2"	95	66.7	34.9	4-16	14.5	2	152
	DN20	3/4"	115	82.6	42.9	4-19	16	2	178
	DN25	1"	125	88.9	50.8	4-19	17.5	2	203
	DN32	1-1/4"	135	98.4	63.5	4-19	19.5	2	216
	DN40	1-1/2"	155	114.3	73	4-22	21	2	229
	DN50	2"	165	127	92.1	8-19	22.5	2	267
	DN65	2-1/2"	190	149.2	104.8	8-22	25.5	2	292
	DN80	3"	210	168.3	127	8-22	29	2	318
	DN100	4"	255	200	157.2	8-22	32	2	356
	DN125	5"	280	235	185.7	8-22	35	2	400
	DN150	6"	320	269.9	215.9	12-22	37	2	445
	DN200	8"	380	330.2	269.9	12-25	41.5	2	559
	DN250	10"	445	387.4	323.8	16-29	48	2	622
	DN300	12"	520	450.8	381	16-32	51	2	711
DN350	14"	585	515.4	412.8	20-32	54	2	838	
DN400	16"	650	571.5	469.9	20-35	57.5	2	864	
600 Class	DN15	1/2"	95	66.7	34.9	4-16	21	6.4	165
	DN20	3/4"	115	82.6	42.9	4-19	23	6.4	190
	DN25	1"	125	88.9	50.8	4-19	24	6.4	216
	DN32	1-1/4"	135	98.4	63.5	4-19	27.5	6.4	229
	DN40	1-1/2"	155	114.3	73	4-22	29	6.4	241
	DN50	2"	165	127	92.1	8-19	32	6.4	292
	DN65	2-1/2"	190	149.2	104.8	8-22	35	6.4	330
	DN80	3"	210	168.3	127	8-22	38.5	6.4	356
	DN100	4"	275	215.9	157.2	8-25	45	6.4	432
	DN125	5"	330	266.7	185.7	8-29	51.5	6.4	508
	DN150	6"	355	292.1	215.9	12-29	54.5	6.4	559
	DN200	8"	420	349.2	269.9	12-32	62	6.4	660
	DN250	10"	510	431.8	323.8	16-35	70	6.4	787
	DN300	12"	560	489	381	20-35	73.5	6.4	838
DN350	14"	605	527	412.8	20-39	76.5	6.4	889	

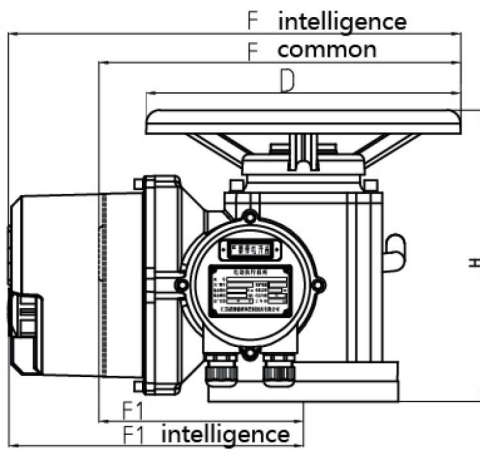
Main Outline and Connecting(JIS)

MEDLE		Inch	D	D1	D2	n-d	b	f	L
10K	DN15	1/2"	95	70	52	4-15	12	1	108
	DN20	3/4"	100	75	58	4-15	14	1	117
	DN25	1"	125	90	70	4-19	14	1	127
	DN32	1-1/4"	135	100	80	4-19	16	2	140
	DN40	1-1/2"	140	105	85	4-19	16	2	165
	DN50	2"	155	120	100	4-19	16	2	203
	DN65	2-1/2"	175	140	120	4-19	18	2	216
	DN80	3"	185	150	130	8-19	18	2	241
	DN100	4"	210	175	155	8-19	18	2	292
	DN125	5"	250	210	185	8-23	20	2	356
	DN150	6"	280	240	215	8-23	22	2	406
	DN200	8"	330	290	265	12-23	22	2	485
	DN250	10"	400	355	325	12-25	24	2	622
	DN300	12"	445	400	370	16-25	24	2	698
DN350	14"	490	445	415	16-25	26	2	787	
DN400	16"	560	510	475	16-25	28	2	914	
20K	DN15	1/2"	95	70	52	4-15	14	1	154
	DN20	3/4"	100	75	58	4-15	16	1	178
	DN25	1"	125	90	70	4-19	16	1	203
	DN32	1-1/4"	135	100	80	4-19	18	2	216
	DN40	1-1/2"	140	105	85	4-19	18	2	229
	DN50	2"	155	120	100	8-19	18	2	267
	DN65	2-1/2"	175	140	120	8-19	20	2	292
	DN80	3"	200	160	135	8-23	22	2	318
	DN100	4"	225	185	160	8-23	24	2	356
	DN125	5"	270	225	195	8-25	26	2	400
	DN150	6"	305	260	230	12-25	28	2	445
	DN200	8"	350	305	275	12-25	30	2	559
	DN250	10"	430	380	345	12-27	34	2	622
	DN300	12"	480	430	395	16-27	35	3	711

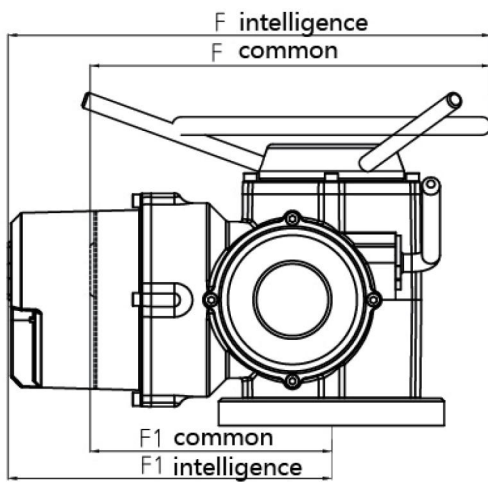
V、Dimensions



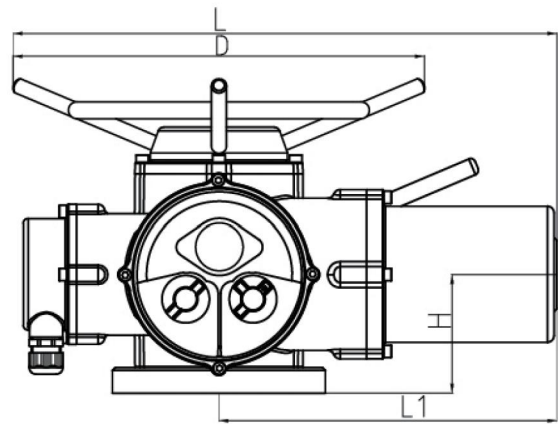
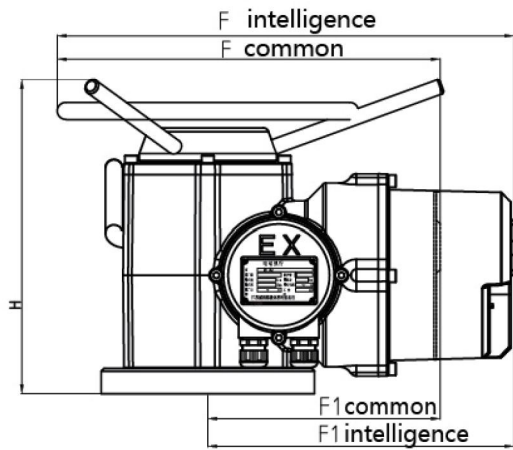
DM05/10/15



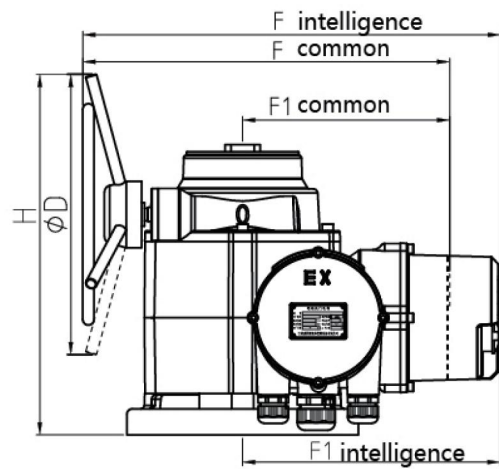
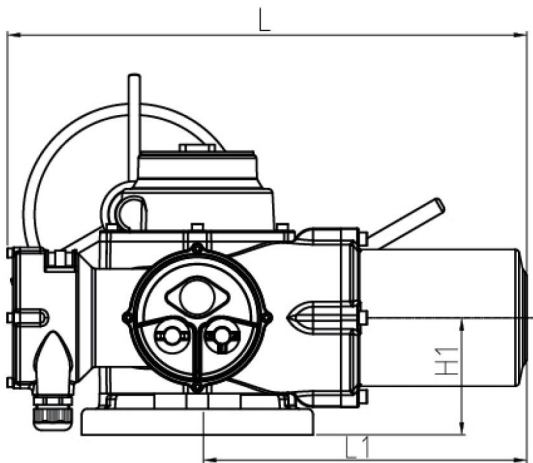
DM20/30



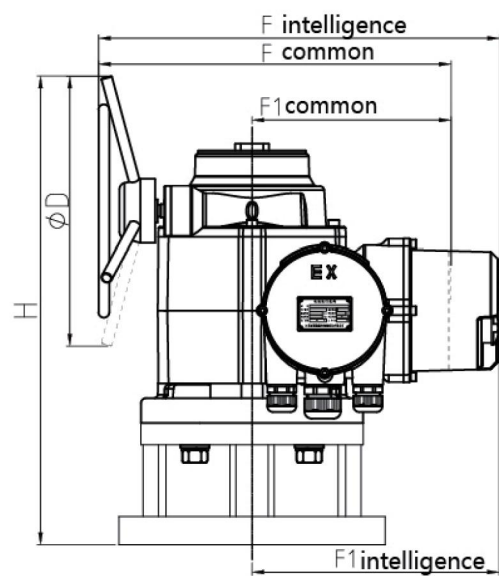
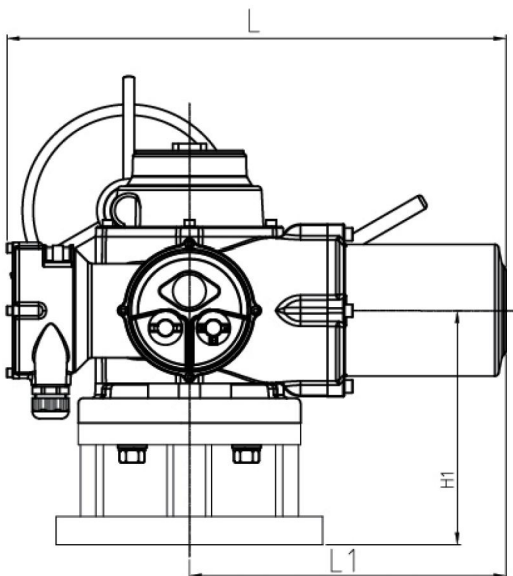
DM45/60



DM90/120



DM180/250

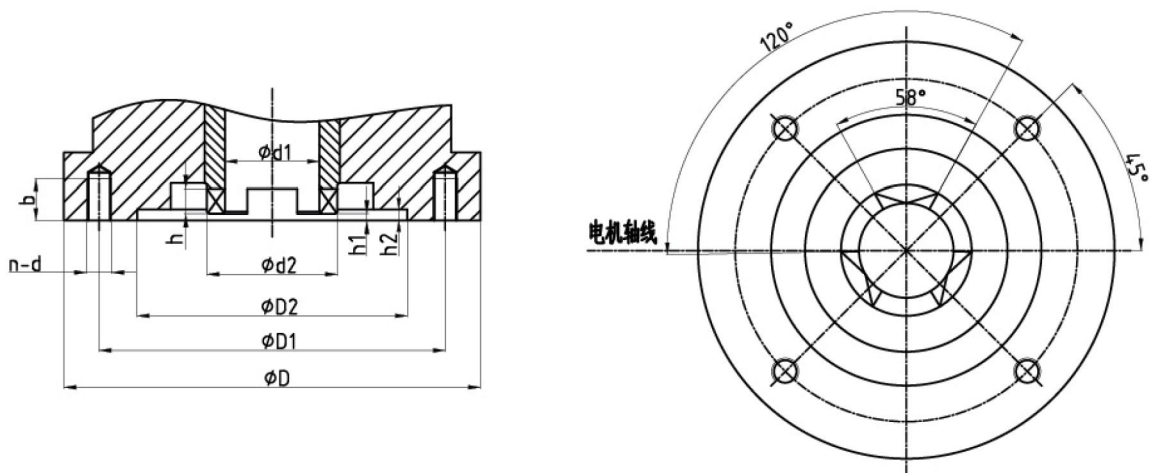


DM350/500/700/1000

Model \ Size	H	H1	F		F1		D	(L)	L	(L1)	L1
			Ordinary	Intelligence	Ordinary	Intelligence					
			DM05/10/15	236	96	334					
DM20/30	285	115	372	442	218	288	φ300	449	499	265	315
DM45/60	335	125	510	570	252	322	φ495	/	563	/	357
DM90/120	352	141	517	587	252	322	φ508	577	637	360	420
DM180/250	515	167	524	596	296	368	φ400	/	748	/	470
DM350/500	684	348	524	596	296	368	φ400	/	748	/	470
DM700/1000	747	411	524	596	296	368	φ400	/	748	/	470

VGD-M series actuator overall dimensions

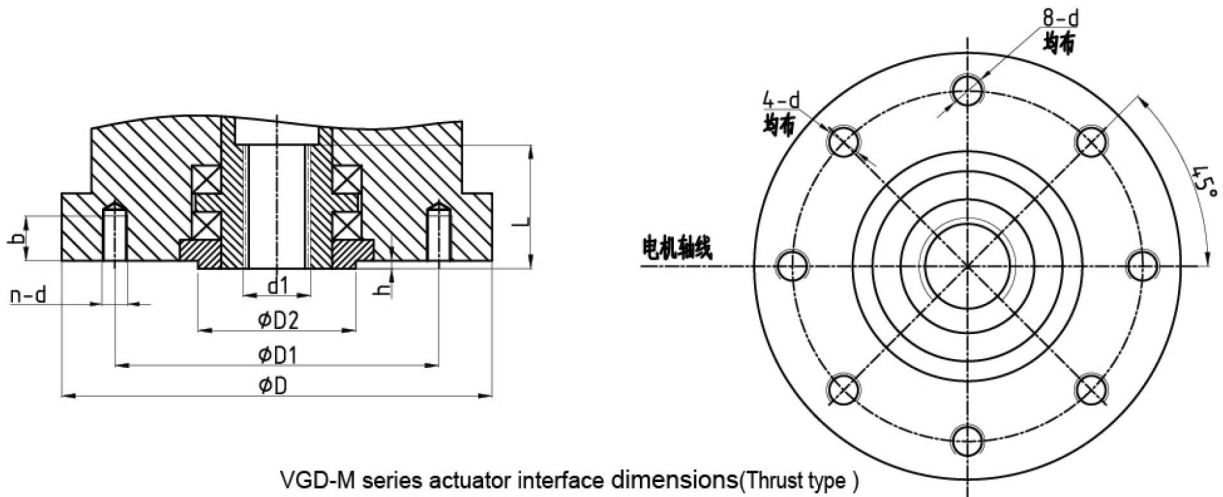
VI、 Flange structure and connection dimensions



VGD-M series actuator interface dimensions(Torque type)



Actuator model	Flange model	Size details of actuator output interface(Torque type JB2920)										
		D	D1	D2	d1	d2	n-d	b	Screw hole direction	h	h1	h2
DM05 DM10 DM15	2# 2#(I)	145 115	120 95	90 75	33 26	45 39	4-M10 4-M8	20 20	45° 45°	8 6	2 2	5 5
DM20 DM30	3# 3#(I)	185 145	160 120	125 90	42 31.5	58 45	4-M12 4-M10	20 20	45° 45°	10 8	2 2	5 5
DM45 DM60	4#	225	195	150	52	68	4-M16	27	45°	12	2	5
DM90 DM120	5# 5#(I)	275 230	235 195	180 150	62 52	78 72	4-M20 4-M16	30 27	45° 45°	14 12	2 2	5 5
DM180 DM250	7#	330	285	220	72	98	4-M24	35	45°	16	3	6
DM350 DM500	8#	380	340	280	83	118	8-φ22	40	22.5°	20	3	7
DM700 DM1000	9#	430	380	300	93	128	8-φ26	42	22.5°	22	3.5	7



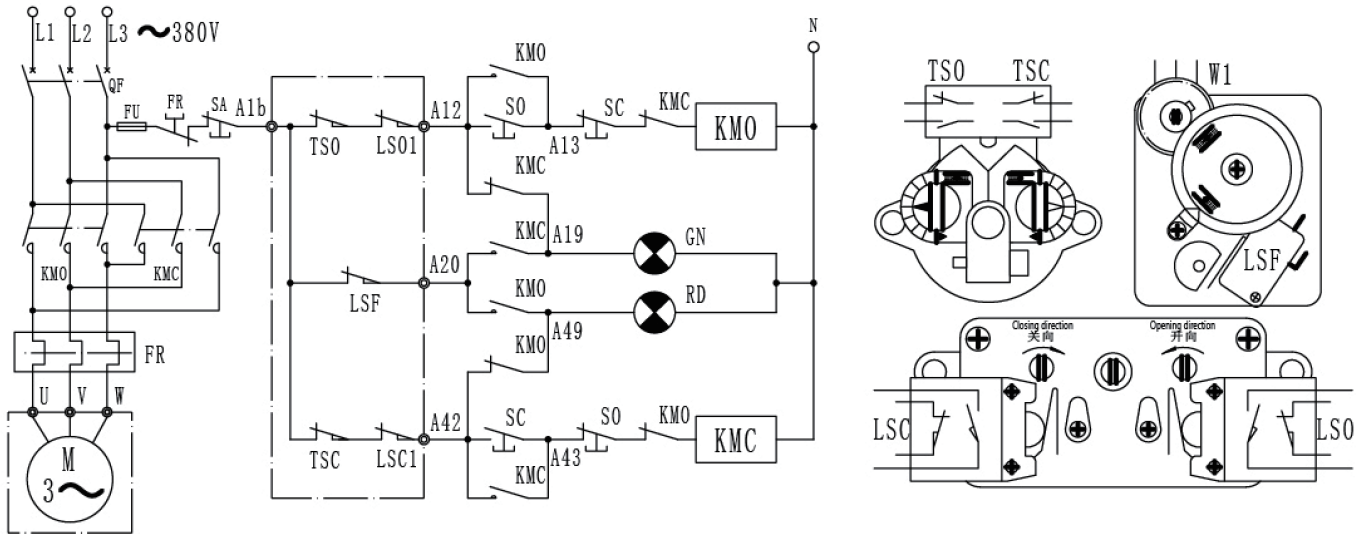
VGD-M series actuator interface dimensions(Thrust type)

Actuator model	Flange model	Size details of actuator output interface(Thrust type GB12222)								
		D	D1	D2	d1 Trapezoid thread (max)	n-d	b	Screw hole direction	h	L
DM05 DM10 DM15	F10	125	102	70	Tr28	4-M10	16	45°	3	40
DM20 DM30	F14	175	140	100	Tr36	4-M16	25	45°	4	55
DM45 DM60	F16	210	165	130	Tr44	4-M20	35	45°	5	70
DM90 DM120	F25	300	254	200	Tr60	8-M16	30	45°	5	90
DM180 DM250	F30	350	298	230	Tr70	8-M20	35	22.5°	5	110
DM350 DM500	F35	415	356	260	Tr80	8-M30	45	22.5°	6	150

VII、 Model and main technical parameters

型号 / 规格 Model / Specification	输出转矩 Output torque (N.m)	输出转速 Output speed (r/min)	手动速比 Manual speed ratio (手轮 / 输出) (Handwheel / Output)	电机功率(kw) Motor power		额定电流(A) Rated current		参考重量 Reference weight (kg)
				(380V)	(220V)	(380V)	(220V)	
DM05	50	18/24	1:1	0.18	0.18	0.6	0.95	15.2
DM10	100	18/24	1:1	0.25	0.25	0.85	1.2	15.8
DM15	150	18/24	1:1	0.37	0.37	1.05	1.7	16.2
DM20	200	18/24	1:1	0.55	0.55	1.3	2.5	24.2
	200	36/48	1:1	0.75	0.75	1.7		25.8
DM30	300	18/24	1:1	0.75	0.75	1.7		25.8
	300	36/48	1:1	0.85	0.85	1.85		25.8
DM45	450	18/24	1:1	0.85	0.85	1.85		63.2
	450	36/48	1:1	1.5	1.5	3.2		63.2
DM60	600	18/24	1:1	1.5	1.5	3.2		65.2
	600	36/48	1:1	2.2	2.2	4.5		67.5
DM90	900	18/24	1:1	2.2		4.5		68.5
	900	36/48	1:1	3.0		6.3		69.8
DM120	1200	18/24	1:1	3.0		6.3		69.8
	1200	36/48	1:21	4.0		8.5		73.5
DM180	1800	18/24	1:21	4.0		8.5		120
DM250	2500	18/24	1:21	5.0		10.5		125
DM350/500	3500/5000	8	1:60	5.0		10.5		200
DM700/1000	7000/10000	4.5	1:107	5.5		11		260

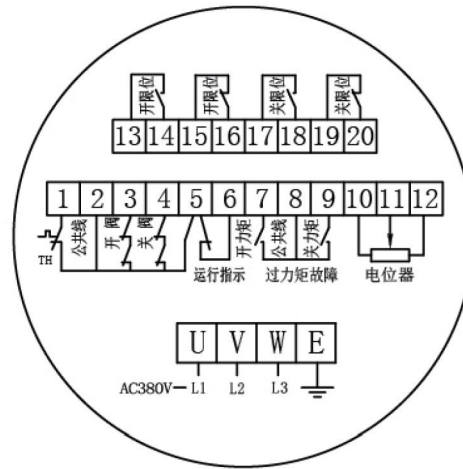
VIII、 Electrical control section



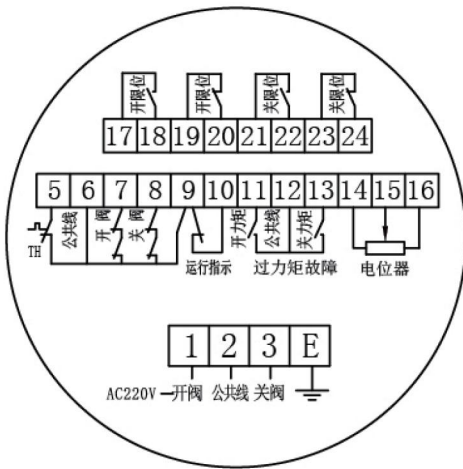
Code name	Name	Model	Number	Remarks	Code name	Name	Model	Number	Remarks
FR	Thermal relay		1	User self provided	LSF	Flash switch	V-157	1	
KMOKMC	AC contactor	GJ10	1	User self provided	W1	potentiometer	WX14-12	1	
SASOSC	Button	LA11-11D	3	User self provided	M	Electric machinery	YDF2-W	1	
TSOTSC	Torque switch	DK3-2A	1		TH	Thermosensitive switch		1	Special order
LSOLSC	Travel switch	HWK-22A	1		RT	Space heater		1	Special order



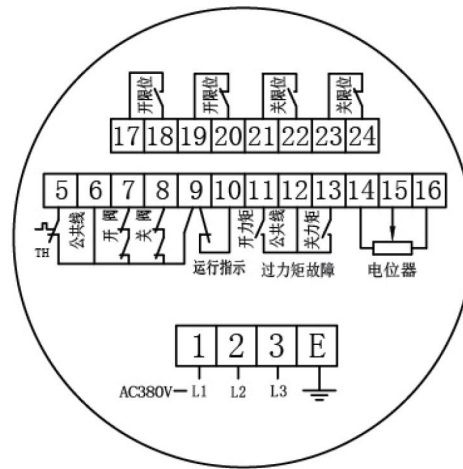
Wiring diagram of 220V common terminal



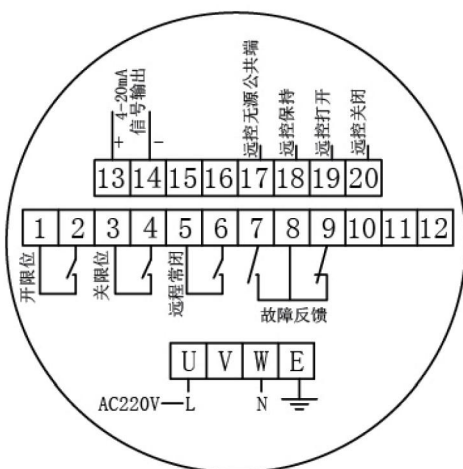
Wiring diagram of 380V common terminal



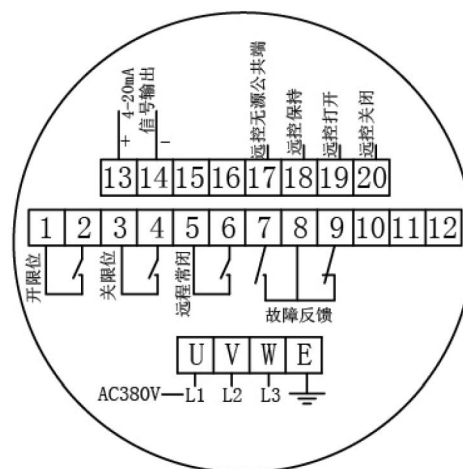
Wiring diagram of 220V explosion-proof terminal



Wiring diagram of 380V explosion-proof terminal

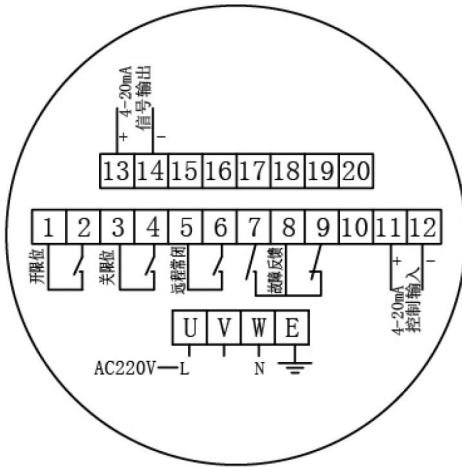


Wiring diagram of non invading switch type 220V terminal

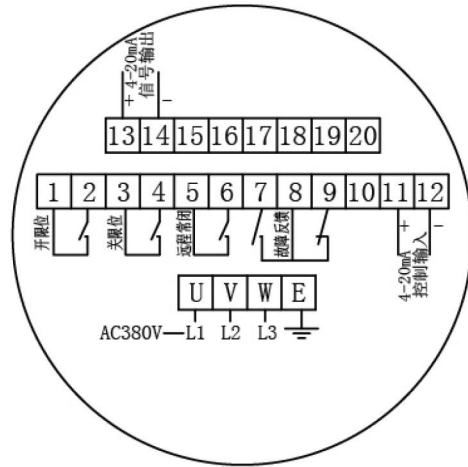


Wiring diagram of non invading switch type 380V terminal

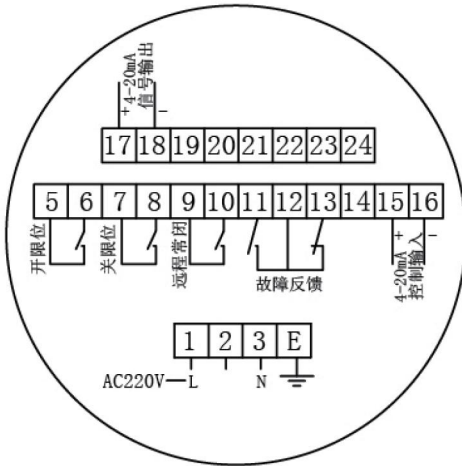
故障反馈	Fault feedback	开阀	Valve opening	关限位	Limit position	控制输入	Control input
信号输出	Signal output	关阀	Shut off valve	公共线	Common line		
远控打开	Remote control open	开力矩	Open torque	关力矩	Moment of closure		
远程常闭	Remote normal closure	开限位	Opening limit	电位器	Potentiometer		
运行指示	Operation instructions	过力矩故障	Over torque fault	远控关闭	Remote control shutdown		
远控保持	Remote control and maintenance	远控	Remote control	远控无源公共端	Remote control passive common terminal		



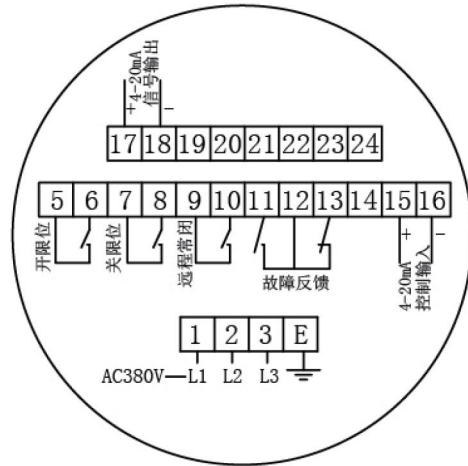
Wiring diagram of regulated 220 V terminal



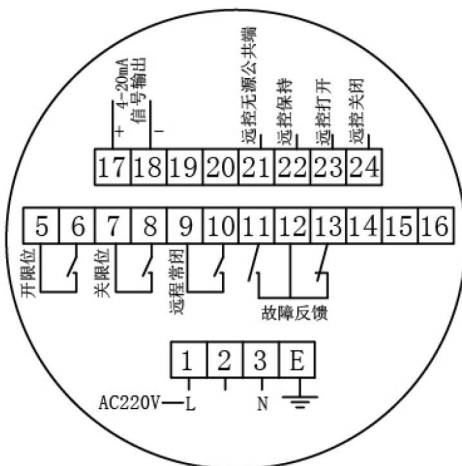
Wiring diagram of regulated 380 V terminal



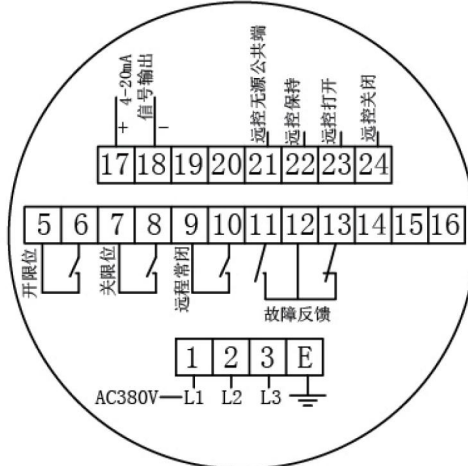
Wiring diagram of regulated explosion-proof 220V terminal



Wiring diagram of regulated explosion-proof 380V terminal



Wiring diagram of non-invasive explosion-proof switch type 220V terminal



Wiring diagram of non-invasive explosion-proof switch type 380V terminal

Figure 7: terminal wiring diagram of electric device



VINCER VALVE
VALVE AUTOMATION TECHNOLOGY

VINCER

GET IN TOUCH VALVE CONSULTANT

Hebe Wong

+86 13826949015

www.vincervalve.com

Address: Room No. 203, Building No.1, Zhangcun
Dayuan Road No. 110, Dongcheng District,
Dongguan City, Guangdong Province



QUALITY VALVE AND UNBEATABLE VALUE