



伟赛尔
VINCER VALVE
VALVE AUTOMATION TECHNOLOGY



气动三片式球阀

VE11-3PSC VINCER Pneumatic 3-Piece Ball Valve

伟赛尔气动球阀

PNEUMATIC BALL VALVES



气动三片式螺纹球阀

VE11-3PCS VINCER PNEUMATIC 3-PIECE BALL VALVE

气动三片式球阀采用先进的气动控制技术和易于维护的球阀结构，帮助你可靠地控制流体的流动。

Pneumatic three-piece ball valve adopts advanced pneumatic control technology and easy-to-maintain ball valve structure to help you control the flow of fluid reliably.

技术规范 Technical Parameter

- 设计标准 Design Standard: GB/T 12237
- 试验和检验 Test & Inspection: GB/T 26480

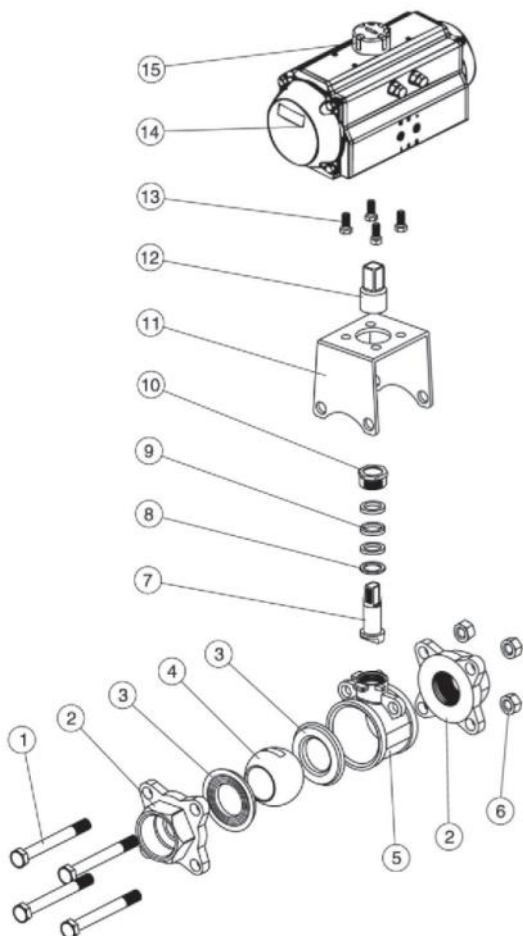
优势 Advantage

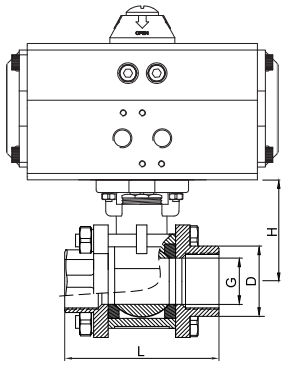
高密封性，方便维护，耐腐蚀

High sealing, Easy maintenance, Corrosion resistance

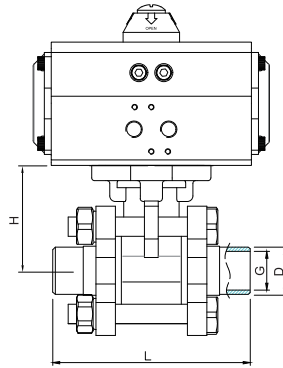
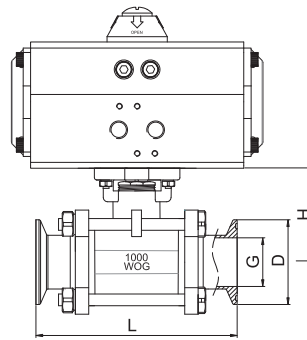
主要零件材质表 Main Parts Materials

序号 No.	零件名称 Component	材质 Material
1	螺栓 Screw	不锈钢304 Stainless Steel 304
2	接头 Connector	不锈钢CF8、CF8M、CF3、CF3M Stainless Steel CF8、CF8M、CF3、CF3M
3	阀座 Seat	PTFE、对位聚苯(PPL) 硬质合金(H/Y)
4	球体 Ball	不锈钢304、304L、316、316L Stainless Steel 304、304L、316、316L
5	阀体 Body	不锈钢CF8、CF8M、CF3、CF3M Stainless Steel CF8、CF8M、CF3、CF3M
6	螺母 Nut	不锈钢304 Stainless Steel 304
7	阀杆 Stem	不锈钢304、304L、316、316L Stainless Steel 304、304、316、316L
8	垫片 Gasket	不锈钢304、316L Stainless Steel 304、316L
9	填料 Packing	PTFE
10	压盖 Gland	不锈钢304、316L Stainless Steel 304、316L
11	连接支架 Connecting Yoke	不锈钢CF8 Stainless Steel CF8
12	连接套 Connecting Set	不锈钢304 Stainless Steel 304
13	螺栓 Screw	不锈钢304 Stainless Steel 304
14	气动执行器 Pneumatic Actuator	AT Series
15	位置指示器 Location Indicator	塑料 Plastic





螺纹型 Threaded Type


 对焊型 Butt-welded
 承插焊 Socket-welded


卡箍型 Clamped Type

螺纹型链接尺寸 Dimension of Threaded Type

SIZE	DN08	DN10	DN15	DN20	DN25	DN32	DN40	DN50	DN65	DN80	DN100
Actuator	AT52	AT52	AT52	AT52	AT52	AT65	AT65	AT75	AT83	AT92	AT92
G	1/4"	3/8"	1/2"	3/4"	1"	1-1/4"	1-1/2"	2"	2-1/2"	3"	4"
D	11.2	12.5	15	20	25	32	40	50	65	80	100
L	60	60	72	82	90	112	120	145	185	210	268
H	42	42	42	48.5	58.5	63	71	78	100	109	140

对焊型链接尺寸 Dimension of Butt-Welded Type

SIZE	DN08	DN10	DN15	DN20	DN25	DN32	DN40	DN50	DN65	DN80	DN100
Actuator	AT52	AT52	AT52	AT52	AT52	AT65	AT65	AT75	AT83	AT92	AT92
G	1/4"	3/8"	1/2"	3/4"	1"	1-1/4"	1-1/2"	2"	2-1/2"	3"	4"
D	12.5	17.5	22	27	34	42.5	48.5	61	73	90	115
L	65	65	75	83	90	113	115	140	160	180	215
H	33	34	38	45	55	60	70	85	100	112	140

卡箍型链接尺寸 Dimension of Clamped Type

SIZE	DN15	DN20	DN25	DN32	DN40	DN50	DN65	DN80	DN100
Actuator	AT52	AT52	AT52	AT52	AT65	AT75	AT83	AT92	AT92
G	1/2"	3/4"	1"	1-1/4"	1-1/2"	2"	2-1/2"	3"	4"
D	34/50.5	34/50.5	50.5	50.5	50.5	64	77/91	91/106	119
L	100	100	120	130	140	156	196	228	242
H	55	60	70	82	90	105	120	132	158



VINCER

GET IN TOUCH VALVE CONSULTANT

Hebe Wong

+86 13826949015

www.vincervalve.com

地址：广东省东莞市东城街道樟村大园路110号1号楼203室
Address: Room No. 203, Building No.1, Zhongcun
Dayuan Road No. 110, Dongcheng District,
Dongguan City, Guangdong Province

