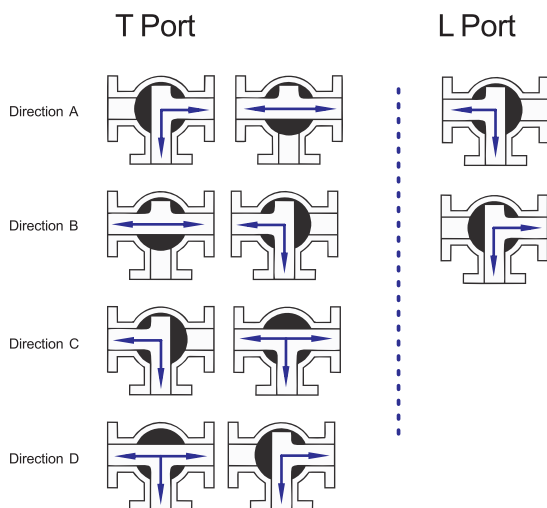


VE-MHT 精小型电动三通螺纹球阀

VE-MHT MINIATURE MOTORIZED 3-WAY BALL VALVE

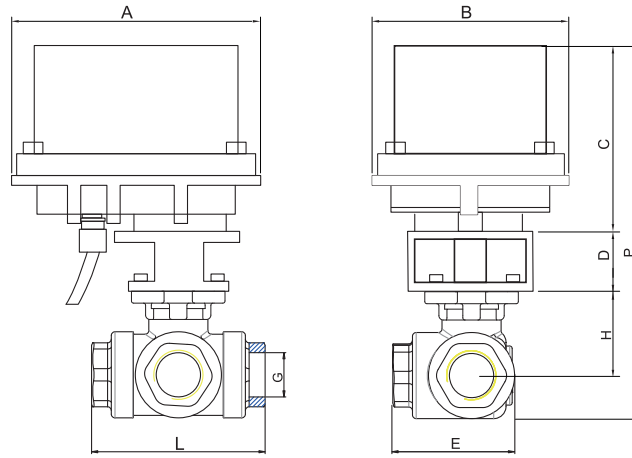
使用我们紧凑、高性能的微型电动三通球阀提升您的系统。易于安装、高扭矩和节省空间的设计，可实现高效的流体控制。

Elevate your system with our compact, high-performance miniature electric 3-way ball valve. Easy installation, high torque, and space-saving design for efficient fluid control.



产品参数 Technical Parameters

产品规格	Product Specifications	DN15	DN20	DN25	DN32	DN40	DN50	DN65
最大工作压力	Max. Working Pressure	1.6MPa						
流通介质	Circulation Medium	Water, Air						
额定电压	Rated Voltage	AC/DC 110-230V, DC9-24V (Optional)						
工作电流	Working Current	50mA~300mA		300mA~1.5A			500mA~2.0mA	
开关的时间	Open/Close Time	8~11S		9~13S			10~15S	
执行器扭矩	Torque Output	30NM		50NM			150NM	
寿命	Life Time	100,000 Times						
阀体材料	Valve Material	SS304, SS316 (Optional)						
执行器材料	Actuator Material	Engineering Plastics						
环境温度	Ambient Temperature	-15°C~50°C						
液体温度	Liquid Temperature	-20°C~120°C						
手动方式	Manual Override	NO						
阀开关指示窗	Indicator	NO						
垫座	Gasket	PTFE						
密封件	Sealing Material	PTFE						
防护等级	Protection Class	IP66						



主要外形及连接尺寸 Outline and Connecting Size

SIZE	G	A	B	C	D	E	H	L	P
DN15	1/2"	89	74	61	31	53	53	72	157
DN20	3/4"	89	74	73	31	60	60	80	162
DN25	1"	106	88	90	33	67	67	88	210
DN32	1-1/4"	106	88	90	33	100	100	124	230
DN40	1-1/2"	106	88	90	44	107	107	138	260
DN50	2"	108	107	90	44	115	115	145	270
DN65	2-1/2"	117	107	107	48	136	136	170	325

VE-MH 精小型电动螺纹球阀

VE-MH MINIATURE MOTORIZED 3-PIECE BALL VALVE

高性能、大扭矩微型电动二通球阀，为您提供易于安装、节省安装空间的阀门解决方案。

High-performance, high-torque miniature electric two-way ball valve, providing you with a valve solution that is easy to install and saves installation space.

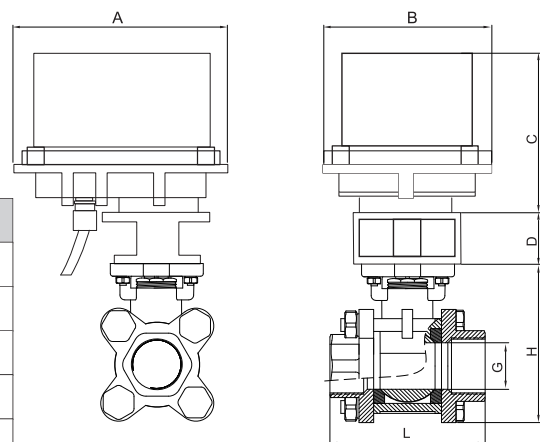


产品参数 Technical Parameters

产品规格	Product Specifications	DN15	DN20	DN25	DN32	DN40	DN50	DN65
最大工作压力	Max. Working Pressure	1.6MPa						
流通介质	Circulation Medium	Water, Air						
额定电压	Rated Voltage	AC/DC 110-230V, DC9-24V (Optional)						
工作电流	Working Current	50mA~300mA		300mA~1.5A			500mA~2.0mA	
开关的时间	Open/Close Time	8~11S		9~13S			10~15S	
执行器扭矩	Torque Output	30NM		50NM			150NM	
寿命	Life Time	100,000 Times						
阀体材料	Valve Material	SS304, SS316 (Optional)						
执行器材料	Actuator Material	Engineering Plastics						
环境温度	Ambient Temperature	-15°C~50°C						
液体温度	Liquid Temperature	-20°C~120°C						
手动方式	Manual Override	NO						
阀开关指示窗	Indicator	NO						
垫座	Gasket	PTFE						
密封件	Sealing Material	PTFE						
防护等级	Protection Class	IP66						

主要外形及连接尺寸 Outline and Connecting Size

SIZE	G	A	B	C	D	H	L
DN15	1/2"	89	74	73	25	62	72
DN20	3/4"	89	74	73	25	73	85
DN25	1"	89	74	73	25	85	90
DN32	1-1/4"	89	74	73	25	96	117
DN40	1-1/2"	106	88	98	33	110	136
DN50	2"	106	88	98	33	122	151





VINCER VALVE
VALVE AUTOMATION TECHNOLOGY

VINCER

GET IN TOUCH VALVE CONSULTANT

Hebe Wong

+86 13826949015

www.vincervalve.com

Address: Room No. 203, Building No.1, Zhongcun
Dayuan Road No. 110, Dongcheng District,
Dongguan City, Guangdong Province



QUALITY VALVE AND UNBEATABLE VALUE